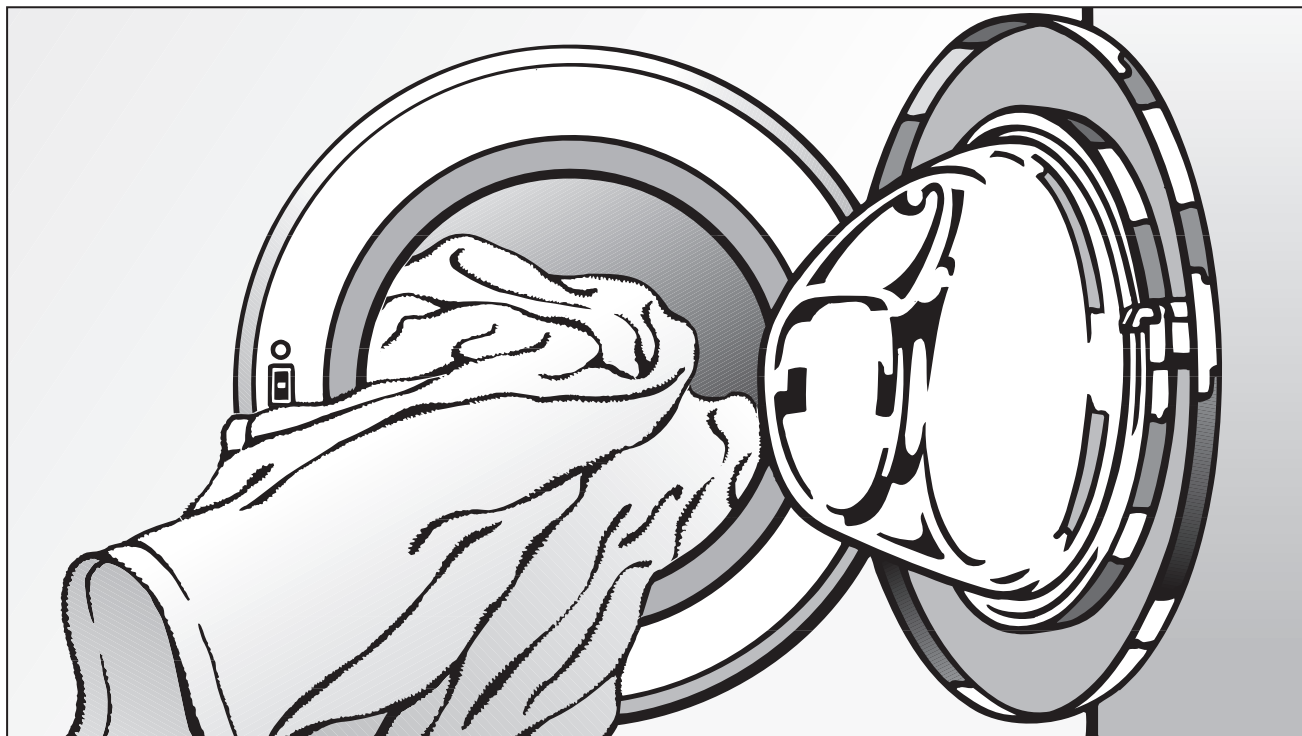
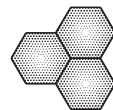


# MIELE W 487 WPS OPERATING INSTRUCTIONS MANUAL



# Miele

HONEYCOMB CARE



## Operating instructions for Washing machine W 487 WPS

To avoid the risk of accidents or damage to the machine it is **essential** to read these operating instructions before it is installed or used for the first time.



M.-Nr. 05 660 531

# Caring for our environment

---

## **Disposal of the packing material**

The transport and protective packing has been selected from materials which are environmentally friendly for disposal and can normally be recycled.


Ensure that any plastic wrappings, bags etc. are disposed of safely and kept out of the reach of babies and young children. Danger of suffocation!

Rather than just throwing these materials away, please ensure they are offered for recycling.

## **Disposal of your old appliance**

Old appliances contain materials which can be recycled. Please contact your dealer, your local waste collection centre or scrap merchant about potential recycling schemes.

Ensure that the appliance presents no danger to children while being stored for disposal. See the appropriate advice in the "Warning and safety instructions".

<b>Caring for our environment</b> . . . . .	2
Disposal of the packing material . . . . .	2
Disposal of your old appliance . . . . .	2
<b>Warning and safety instructions</b> . . . . .	6
<b>Description of the appliance</b> . . . . .	9
Special programmes . . . . .	9
Delicates and Silks  programmes . . . . .	9
Load size indicator . . . . .	9
Dispensing recommendation . . . . .	9
Water plus system . . . . .	9
Delay start h/mins . . . . .	10
Time left display . . . . .	10
Drum lighting . . . . .	10
Locking functions (programme locking, system lock) . . . . .	10
Future updates (PC) . . . . .	10
Control panel . . . . .	11
Multi-function display . . . . .	12
Important control panel features . . . . .	13
Programme selector . . . . .	13
Additional option buttons . . . . .	13
"Spin" button with indicator lights . . . . .	13
<b>Before using for the first time</b> . . . . .	14
Calibrating to zero . . . . .	14
<b>Washing environmentally and economically</b> . . . . .	15
Energy and water consumption . . . . .	15
Detergent . . . . .	15
Additional options (Soak, Pre-wash, Intensive) . . . . .	15
When drying with a tumble dryer . . . . .	15
<b>How to wash correctly</b> . . . . .	16
Brief instructions . . . . .	16
Programme chart . . . . .	17
Care symbols - washing . . . . .	20
Before washing . . . . .	22

# Contents

---

Selecting a programme . . . . .	23
Additional options . . . . .	25
Delay start . . . . .	26
At the end of a programme . . . . .	27
Adding or removing laundry after a programme has started . . . . .	28
Interrupting a programme . . . . .	29
Altering a programme once selected . . . . .	29
Skipping a programme stage . . . . .	29
To cancel or select a different programme . . . . .	29
Programme sequence . . . . .	30
<b>Detergent . . . . .</b>	<b>32</b>
Water softeners . . . . .	32
Washing with several components . . . . .	32
Fabric conditioners and liquid starch . . . . .	33
Automatic dispensing of fabric conditioner or liquid starch to laundry at the end of a programme . . . . .	33
Adding fabric conditioner separately . . . . .	33
Adding starch separately . . . . .	33
Colour run and dye removers/dyes . . . . .	33
<b>Locking functions . . . . .</b>	<b>34</b>
Electronic programme locking . . . . .	34
Electronic system lock . . . . .	35
<b>Cleaning and care . . . . .</b>	<b>36</b>
E-Cloth . . . . .	36
Extra cleaning . . . . .	36
Cleaning the detergent dispenser drawer . . . . .	37
Cleaning the filter in the water inlet . . . . .	38
<b>Problem solving guide . . . . .</b>	<b>39</b>
What to do if . . . . .	39
The programme does not start . . . . .	40
The wash programme stops and a fault indicator light comes on . . . . .	41
A fault indicator light comes on but the wash programme continues as normal . . . . .	42
Problems with the load size indicator and the dispensing recommendation . . . . .	43
General problems or an unsatisfactory wash result . . . . .	44

The drum door cannot be opened by pressing the Door button. . . . .	46
Opening the drum door in the event of a blocked drain outlet and/or power failure . . . . .	47
Blocked drain outlet . . . . .	47
Opening the drum door . . . . .	48
Changing the lamp for the drum lighting . . . . .	49
Customer contact . . . . .	50
<b>Installation and connection</b> . . . . .	51
Front view . . . . .	51
Rear view . . . . .	52
Installation surface. . . . .	53
Installing the washing machine . . . . .	53
Removing the transit fittings . . . . .	53
Re-fitting the transit bars . . . . .	55
Levelling the machine . . . . .	56
Screwing out and adjusting the feet. . . . .	56
Washer and Dryer stack . . . . .	57
The Miele Waterproof system . . . . .	58
Connection to the water supply . . . . .	59
Connection to the drainage system. . . . .	61
Electrical connection U.K. . . . .	62
<b>Consumption data</b> . . . . .	64
Note for test institutes: . . . . .	64
<b>Technical data</b> . . . . .	65
<b>Programmable functions</b> . . . . .	68
Water plus system . . . . .	68
Gentle action . . . . .	70
Top-up rinse for COTTONS . . . . .	71
Memory function . . . . .	72
Buzzer . . . . .	73

# Warning and safety instructions

---

Read the operating instructions before using this machine for the first time. They contain important information about the safety, use and maintenance of the machine. This way you will avoid the risk of accidents and damage to the machine.

Keep these operating instructions in a safe place and ensure that new users are familiar with the content. Pass them on to any future owner of the machine.

## Correct usage

Only use the washing machine to wash items which are specified by the manufacturer to be machine-washable on the wash-care label, and textiles composed of hand-washable wool or wool blend fabrics as well as satin, lace, silk and other hand-washable garments. Any other applications may be dangerous. The manufacturer is not liable for damage resulting from improper use or operation.

This appliance should not be operated by children. Supervise its use by the elderly or infirm.

## Technical safety

Before setting up the machine, check it for any externally visible damage. Do not install and use a damaged machine.

Before connecting the machine, ensure that the connection data on the data plate (fusing, voltage and frequency) match the mains electricity

supply. If in any doubt, consult a qualified electrician.

The electrical safety of this appliance can only be guaranteed when continuity is complete between the machine and an effective earthing system which complies with local and national regulations. It is most important that this basic safety requirement is present and regularly tested and where there is any doubt the household wiring system should be inspected by a qualified electrician.

The manufacturer cannot be held liable for the consequences of an inadequate earthing system (e.g. electric shock).

Do not connect the appliance to the mains electricity supply by an extension lead. Extension leads do not guarantee the required safety of the appliance (e.g. danger of overheating).

The machine is built in accordance with current safety requirements. Unauthorised repairs could result in unforeseen dangers for the user, for which the manufacturer cannot accept liability. Repairs should only be undertaken by a Miele approved engineer.

Ensure current is not supplied to the appliance while maintenance or repair work is being carried out.

The machine is only completely isolated from the electricity supply when:

- it is switched off at the wall socket and the plug is withdrawn, or
- it is switched off at the mains, or
- the mains fuse is withdrawn.

# Warning and safety instructions

---

■ The Miele "Waterproof system" protects from water damage provided the following conditions have been met:

- the machine is correctly plumbed in and connected to the electricity supply.
- if a fault has been identified, the machine must be examined by a competent person before further use, and repaired if necessary.

■ Faulty components must only be replaced by genuine Miele original spare parts. Only when these parts are fitted can the safety standards of the machine be guaranteed.

■ If the connection cable is faulty it must only be replaced by a Miele approved service technician to protect the user from danger.

■ In countries where there are areas which may be subject to infestation by cockroaches or other vermin, pay particular attention to keeping the appliance and its surroundings in a clean condition at all times. Any damage which may be caused by cockroaches or other vermin will not be covered by the appliance guarantee.

## Use

■ This equipment is not designed for maritime use or for use in mobile installations such as caravans, aircraft etc. However it may be suitable for such usage subject to a risk assessment of the installation being carried out by a suitably qualified engineer.

■ Do not install your washing machine in rooms where temperatures below freezing may occur. Frozen hoses may burst under pressure. The reliability of the electronic control unit may be impaired at temperatures below freezing point.

■ Before using the machine for the first time, check that the transit fitting at the rear of the machine has been removed (see section on "Installation"). During spinning, a transit fitting which is still in place may result in damage to both the machine and adjacent furniture or appliances.

■ Turn off the stopcock if the machine is to be left for any length of time (e.g. holiday), especially if there is no floor drain (gully) in the immediate vicinity.

■ **Flooding danger**  
■ If hooking the drain hose into a wash basin, check that the water can drain off quickly enough to prevent the sink from overflowing. Make sure the drain hose is secure, so that the force of the water flowing out of the hose does not dislodge it. Otherwise this will result in flooding.

■ Take care to ensure that foreign objects (e.g. nails, pins, coins, paper clips) do not find their way into the machine with the washing. These may damage components of the machine (e.g. suds container, drum), which in turn can result in damage to the washing.



## Warning and safety instructions

---

■ If the correct amount of detergent is dispensed, the machine should not need to be descaled. If, however, you do wish to descale the machine only use proprietary non-corrosive descaling agents and strictly observe the instructions on the packaging. If in doubt, contact the Miele Customer Service Dept. or your Miele Dealer.

■ Textiles which have been pre-treated in solvent based cleaning agents must be thoroughly rinsed in clean water before being washed in the machine.

■ Never use solvent based cleaning agents in this machine, as this may result in damage to component parts and create toxic fumes. Such detergents also pose a fire and explosion hazard.

■ Only use dyes specified by the manufacturer as being suitable for use in a domestic washing machine. Always observe the manufacturer's instructions carefully.

■ Colour run and dye removers contain sulphur compounds which can cause damage such as corrosion. Do not use these products in this machine.

■ For machines with a 'porthole' door, remember that the porthole glass will be hot when washing at very high temperatures. Do not let children touch it.

■ Always make sure the drum is stationary before reaching in to remove washing. Reaching into a moving drum is extremely dangerous.

### Accessories





■ Accessory parts may only be fitted when expressly approved by Miele. If other parts are used, guarantee, performance and product liability claims will be invalidated.

### Disposal of your old machine

■ Before discarding an old machine, unplug it. Render the plug useless. Cut off the cable directly behind the appliance to prevent misuse. This should be done by a competent person.

■ The manufacturer cannot be held liable for damage caused by non-compliance with these Warning and Safety instructions.

### Special programmes

- Programme for hand-washable fabrics (Silks )  
Hand-washable fabrics which crease easily and do not contain wool can be washed in the Silks  programme (30°C temperature option only).
- Programme for hand-washable fabrics (WOOLLENS )  
Hand-washable or machine-washable wool or wool blend fabrics can be washed in the WOOLLENS  programme. If the garment care label does not specify a temperature, wash using the cold setting.
- Programme for small loads (Quick wash)  
This is a Cottons programme for very lightly soiled fabrics.
- Programme for mixed fabrics (Mixed wash)  
Suitable for small loads of garments made from man-made fibres and cotton garments which can be washed together. Sort according to colour.
- Rinse programme (Separate rinse)  
Articles are only rinsed and spun in the machine.

### Delicates and Silks programmes

In these programmes, the laundry is washed and spun very gently to reduce creasing and the amount of ironing required, thus providing "Easy care" for your laundry.

### Load size indicator

The washing machine is equipped with a sensor which registers how much laundry is in the drum. This is displayed as a % figure.

### Dispensing recommendation

The washing machine then calculates the amount of detergent to dispense which is a % of the total amount recommended by the manufacturer for a full load of laundry. The water hardness level and type of soiling also need to be considered when deciding how much detergent to use.

### Water plus system

The water level for washing and rinsing is increased. For COTTONS and MINIMUM IRON programmes an additional rinse can also be selected.

# Description of the appliance

---

## Delay start h/mins

Delay start allows you to delay the start of a programme from 30 minutes up to a maximum of 24 hours.

## Time left display

After the start of a programme, the duration of the programme selected will be shown in the display counting down in hours and minutes and finally in minutes. At some points during the wash programme the time shown can change. This is normal.

## Drum lighting

The drum is lit by halogen lighting in the door seal.

The halogen lighting will come on automatically when:

- the door is opened.
- the washing machine is switched on with the drum door opened.

The halogen lighting will go out automatically:

- after the START button is pressed.
- when the washing machine is switched off.
- 5 minutes after the washing machine is switched on if no programme is selected.

Press the *Door* button to turn the halogen lighting on again.

## Locking functions (programme locking, system lock)

### Electronic programme locking

Electronic programme locking prevents the door from being opened or the programme cancelled during a wash programme. The electronic programme locking is automatically cancelled at the end of the programme.

### Electronic system lock

The system lock prevents anyone from using the washing machine without your knowledge. When the system lock is activated :

- the drum door cannot be opened with the *Door* button and
- a programme cannot be started.

## Future updates (PC)

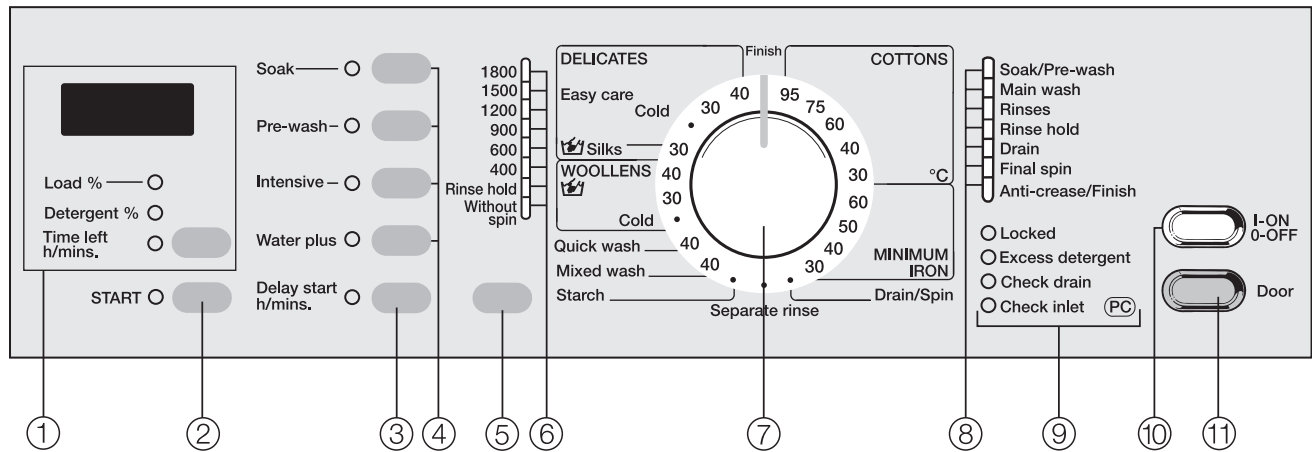
The indicator or check light marked PC allows a service engineer to update your machine in future years.

When, for example, new programmes are developed or new fabrics are introduced, a service engineer will be able to modify existing programme cycles accordingly.

Miele will provide information when such possibilities become available.

# Description of the appliance

## Control panel



### ① Multi-function display

see the following page for more information.

### ② START button

starts the wash programme

### ③ Delay start button

for delaying the start of a programme

### ④ Additional option buttons

indicator light on = option selected  
indicator light off = option not selected

### ⑤ Spin button

for selecting the final spin speed, Rinse hold or Without spin

### ⑥ Indicator lights

for spin speed, Rinse hold or Without spin

### ⑦ Programme selector

for selecting the wash programme and temperature for that programme. The programme selector can be turned clockwise or anti-clockwise.

### ⑧ Programme sequence indicator lights

show which section of the wash programme has been reached

### ⑨ Fault / check / service indicator lights

### ⑩ I-ON/0-OFF button

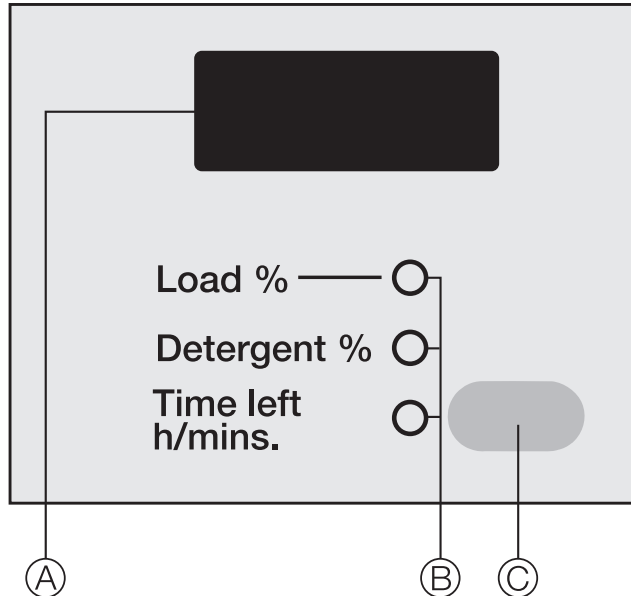
for switching the machine on or off or interrupting a programme

### ⑪ Door button

opens the machine door and switches on the drum lighting

# Description of the appliance

## Multi-function display



- Ⓐ Display
- Ⓑ Display indicator lights
- Ⓒ This button has the following two functions:
  - changes the display from *Load %*, *Detergent %* and *Time left h/mins*
  - sets the load sensors to zero

To enable you to wash environmentally and economically:

- the washing machine calculates the amount of laundry loaded. This is displayed as a % figure:  
*25/50/75/100%*.
- the amount of detergent required is then displayed as a % figure:  
*40/50/60/75/100%*.  
In other words dispense this % of the total amount of detergent recommended by the manufacturer for a full load of laundry. The water hardness level and type of soiling also need to be considered when deciding how much detergent to use.

- the duration of the programme depending on the programme and the amount of the load (Time left h/mins).

Please note that *Load %* depends on the programme selected and applies to dry laundry only.

### Important:

Loads of less than 25% will not register in the display. However, the dispensing recommendation will show the minimum value of 40%.

Please note that in the following programmes the display will only show the time left:

- Separate rinse
- Drain /spin
- Starch

### **The display will also show:**

- Delay start
- The programmable functions (when in programming mode)

## Important control panel features

### Programme selector

The programme selector is used to set the basic wash programme and the temperature for that programme.

The light ring will go out a few minutes after the end of the programme to save energy.

### Additional option buttons

Additional options can be added to the basic programme.

Pressing the relevant button selects or de-selects the particular option. The indicator light will come on to show that the additional option has been selected.

If an additional option is chosen, which is incompatible with the basic programme, it cannot be selected.

### "Spin" button with indicator lights

#### Select the spin speed

The maximum spin speed which can be selected depends on the basic programme chosen.

Maximum spin speed	Basic programme
1800	COTTONS, Drain/spin
1500	Quick wash, Starch
1200	WOOLLENS, Separate rinse
900	MINIMUM IRON, Mixed wash
600	DELICATES
400	Silks

Press the "Spin" button to select a different spin speed. However, you cannot select a spin speed higher than the maximum allowed for the basic wash programme chosen.

The indicator lights show the speed selected.

#### You can also omit the final spin.

■ Press the "Spin" button to reach:

– Rinse hold

The laundry is not spun and remains suspended in the final rinse water. This reduces creasing if the laundry is not going to be removed from the drum immediately after the end of the programme.

To continue the programme select a spin speed. When the programme is finished the *Anti-crease/Finish* light will come on. Turn the programme selector to the *Finish* position and press the *door* button to open the door and remove the laundry.

– Without spin

The laundry is not spun after the final rinse. After the water has been drained away the machine goes straight into the anti-crease stage. Spinning between the rinses is also omitted in this setting (rinse and interim spin).

## Before using for the first time

Before using the machine for the first time ensure that it is correctly installed and connected. See the relevant section under "Installation". Also check that the fluff filter is securely tightened. Otherwise there is a risk of water leakage during use.

For safety reasons spinning is not possible until the machine has been prepared for using for the first time.

To activate the spinning function you must run a wash programme without any laundry and without detergent. (Using detergent could result in an excessive build-up of foam).

This also activates the ball valve. The ball valve prevents detergent escaping from the suds container into the sump during a wash programme, thus making maximum use of the detergent.

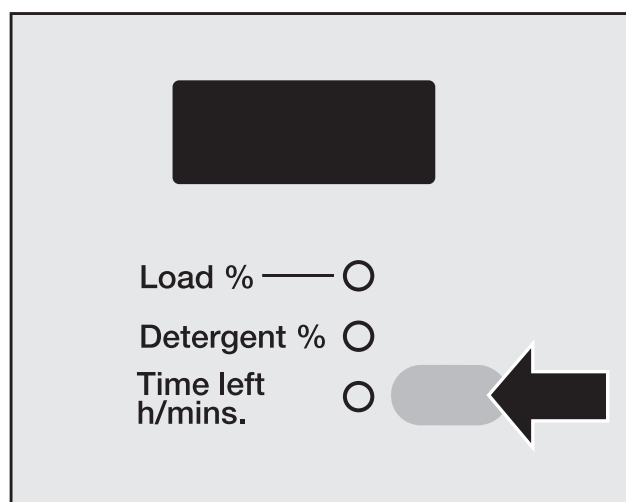
- 1 Turn on the stopcock.
- 2 Press the I-ON/O-OFF button in.
- 3 Turn the programme selector to COTTONS 40°C.
- 4 Press the "Spin" button repeatedly to select *Without spin*.
- 5 Press START.
- 6 At the end of the wash programme: Turn the programme selector to *Finish*.

For the load size indicator to work effectively, the sensor must also be calibrated to zero as you would with bathroom scales:

### Calibrating to zero

- 7 Press the *Door* button and open the drum door.
- 8 Turn the **empty** drum round once by hand.
- 9 Turn the programme selector to one of the temperatures for the COTTONS programme.

The *Load %* indicator light will come on.



- 10 Press the button above the START button until an audible tone sounds. The sensor has now been calibrated to zero.

The accuracy of the measuring device will improve over the first few programmes. For this reason, please re-calibrate the sensor to zero after each of the first few wash cycles.

**If the sensor is not calibrated to zero then the values displayed by the washing machine will be incorrect.**

# Washing environmentally and economically

---

## Energy and water consumption

- Water consumption and energy usage are determined by the size of the load.
- Use the *Mixed wash* or the Quick wash programme for smaller amounts of laundry.
- When smaller amounts of laundry are washed in the COTTONS programmes, the automatic load recognition system will reduce the amount of water, time and energy used. This may mean that the time left shown in the display is adjusted during the course of the wash programme.
- Instead of the COTTONS 95°C programme, use the COTTONS 60°C programme together with the *Intensive* additional option. This will give an energy saving of between 35% and 45%. The programme duration will be longer. This combination is sufficient for most levels of soiling. For stubborn or old stains, use the *Soak* option.

## Detergent

- Do not exceed the amounts of detergent which may be recommended by the manufacturer on the packaging.
- Reduce the amount of detergent with smaller loads (as indicated in the display).

## Additional options (Soak, Pre-wash, Intensive)

Select:

a wash programme without any additional options for light to normal soiling where there are no obvious stains.

a wash programme together with the *Intensive* option for normal to heavily soiled laundry with visible staining.

- Use the additional option *Soak* instead of *Pre-wash*. If *Soak* is followed immediately by a main wash the same suds are used.

## When drying with a tumble dryer

- Selecting the highest possible spin speed for the wash programme will save energy when drying in a tumble dryer afterwards.



# How to wash correctly

---

## Brief instructions

Please note:

To help familiarise yourself with how to use your washing machine please read the sections "Before washing", "Selecting a programme" and "At the end of a programme" in detail.

- 1 Sort the laundry into colours and fabric types

Selecting a programme:

- 2 Switch on the washing machine
- 3 Open the drum door
- 4 Select a programme
- 5 Load the drum
- 6 Close the drum door
- 7 Add detergent
- 8 Select any additional option required
- 9 Select a spin speed
- 10 Select delay start if required
- 11 Press the START button

At the end of a programme:

- 12 Open the drum door
- 13 Remove the laundry
- 14 Switch off the washing machine
- 15 Turn the programme selector to the *Finish* position.
- 16 Close the drum door









See the "Programme chart" in the next section for detailed information on which programmes to use for different fabrics.

# How to wash correctly




## Programme chart

<b>COTTONS</b> 95°/75°/60°/40°/30°	
Fabric	Cottons and linen fabrics, e.g. bed linen, table linen, towelling, jeans, underwear, T-shirts, nappies.
Additional options	Soak, Pre-wash, Intensive, Water plus
Notes	<ul style="list-style-type: none"> <li>– Only use the COTTONS 95°C programme for heavily soiled and incontinent laundry.</li> <li>– For heavy soiling where staining is visible, use the <i>Intensive</i> additional option.</li> <li>– For laundry with stubborn soiling or soiling which has been left untreated for a while, select both the <i>Intensive</i> and <i>Soak</i> options.</li> <li>– For laundry with large amounts of dirt (e.g. dust, sand) use the <i>Pre-wash</i> additional option.</li> <li>– For dark coloured fabrics use a detergent for coloured fabrics, or liquid detergent.</li> </ul>
Detergent	Powder detergent, detergent for coloured fabrics, liquid detergent, tablet detergent and liquid tab detergent. See also "Detergent" section.
Max. load	5 kg
<u>Note for test institutes:</u> For testing in accordance with EN 60456 <b>you must</b> use the <i>Intensive</i> option.	
<b>MINIMUM IRON</b> 60°/50°/40°/30° 60°/40°/30°	
Fabric	White nylon (60°C), white polyester fabrics (50°C), coloured nylon, polyester, cotton and viscose fabrics with special finishes, acrylic, cotton fabrics coloured polyester/cotton fabrics, (40°/30°C) minimum iron fabrics not washable at higher temperatures.
Additional options	Soak, Pre-wash, Intensive, Water plus
Notes	<ul style="list-style-type: none"> <li>– For heavy soiling where staining is visible, use the <i>Intensive</i> additional option.</li> </ul>
Detergent	Powder detergent, detergent for coloured fabrics, liquid detergent, detergent for delicates. See also "Detergent" section.
Max. load	2.5 kg
<u>Note for test institutes:</u> For testing in accordance with EN 60456 <b>you must</b> use the <i>Intensive</i> option.	

# How to wash correctly





<b>DELICATES</b>    + COLD	
Fabric	Acrylics, acetate and triacetate, 100% cotton easy care shirts and blouses. Curtains, specified machine-washable by the manufacturer.
Additional options	Soak, Pre-wash, Intensive
Notes	<ul style="list-style-type: none"> <li>– For heavy soiling where staining is visible, use the <i>Intensive</i> additional option.</li> <li>– Laundry remains relatively crease-free for easier ironing.</li> <li>– Dust in curtains usually makes using a programme with <i>Pre-wash</i> advisable.</li> <li>– For curtains made from delicate fabrics, reduce the spin speed or select Without spin.</li> </ul>
Detergent	Detergent for delicates (mainly liquids). See also "Detergent" section.
Max. load	1 kg
<b>Silks</b>  	
Fabric	Hand-washable fabrics with no wool content, e.g. satin, lace and silk.
Additional options	Water plus
Notes	<ul style="list-style-type: none"> <li>– Laundry remains relatively crease-free for easier ironing.</li> <li>– Place socks, tights, bras etc. in a washing bag.</li> </ul>
Detergent	Detergent for delicates (mainly liquids). See also "Detergent" section.
Max. load	1 kg
<b>WOOLLENS</b>    + COLD	
Fabric	Machine-washable or hand-washable wool or wool blend fabrics. If the care label does not specify a temperature wash using the cold setting. Please note that hand washable garments will not shrink, stretch, matt or felt beyond the accepted tolerance of that item.
Detergent	Liquid detergent for machine washable woollens. See also "Detergent" section.
Max. load	2 kg

## How to wash correctly

<b>Quick wash</b> 	
Fabric	Very lightly soiled fabrics, which can be washed in the Cottons programme.
Notes	– If fabrics have a high proportion of man-made fibres it is advisable to programme the machine for "Gentle Action". See "Programmable functions". Note that this programme is not suitable for delicate items.
Additional option	Water plus
Detergent	Powder detergent, detergent for coloured fabrics, liquid detergent.
Max. load	2.5 kg
<b>Mixed wash</b>  	
Fabric	Small loads of garments made from man-made fibres and cotton garments which can be washed together. Sort according to colour.
Additional option	Soak, Pre-wash, Intensive, Water plus
Notes	– For normal to heavy soiling or where staining is visible, use the <i>Intensive</i> additional option. If fabrics have a high proportion of man-made fibres it is advisable to programme the machine for "Gentle Action". See "Programmable functions".
Detergent	Powder detergent, detergent for coloured fabrics, liquid detergent.
Max. load	3 kg
<b>Starch</b>	
Fabric	Table cloths, napkins, overalls, aprons.
Notes	– The laundry should be washed but not treated with fabric conditioner.
Max. load	5 kg
<b>Separate rinse</b>	
Fabric	Articles which have been washed by hand and only need to be rinsed and spun in the machine.
Max. load	5 kg
<b>Drain / Spin</b>	
Notes	– Drain only: Select <i>Without spin</i> .
Max. load	5 kg







# How to wash correctly

## Care symbols - washing




Care symbols	Fabric types	Description of process	Programme: (select the appropriate temperature according to the temperature on the care label symbol)
 no bar	Cottons	Normal (maximum) machine action and normal spinning	Cottons, Minimum iron, Quick wash
 single bar	Synthetics	Reduced (medium) machine action and reduced spinning	Delicates  *If the gentle action option has been programmed into your machine via the programmable functions, garments with a single bar under the care label  can also be processed using a Cottons, Minimum Iron, Quick wash, Mixed Wash or Starch programme.
 broken bar	Woollens	Much reduced (minimum) machine action but with normal spinning	Hand Wash Woollens programmes.

# How to wash correctly





## Important - other care symbols

	Hand wash (If no temperature is specified use the lowest temperature or cold)
	Do not wash
	Dry clean
	Do not dry clean
	Suitable for chlorine bleaching
	Do not use chlorine bleach



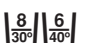

## Tumble dry

	At normal temperature
	At low temperature
	Do not tumble dry

## Ironing

	Hot iron
	Medium hot iron
	Cool iron
	Do not iron

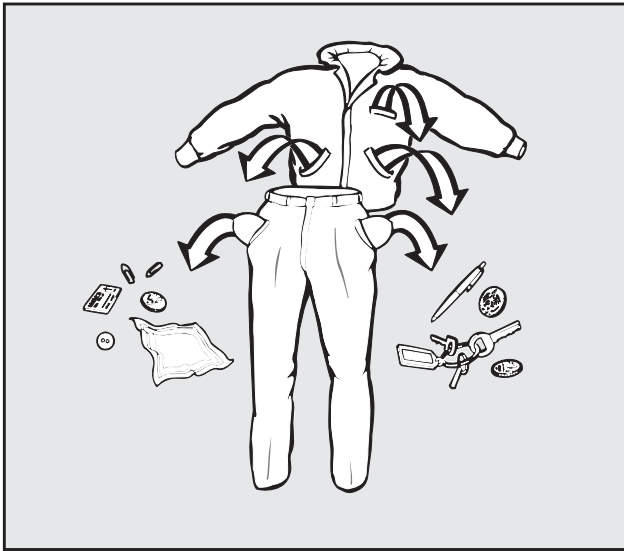
N.B. If you have any textiles with the older wash care labels, select a programme according to the label below:

	Cottons
	Minimum iron
	Delicates
	Woollens

# How to wash correctly

## Before washing

### 1 Sort the laundry



- Empty all pockets.

⚠ Foreign objects (e.g. nails, coins, paper clips, etc.) can cause damage to garments and components in the machine.

- Badly soiled areas, e.g. collars and cuffs, and water soluble stains can be pre-treated with bar soap, liquid detergent or detergent mixed into a solution or paste.

With particularly stubborn stains ask your dry cleaner for advice.

⚠ Do not use solvent-based cleaning agents in this machine.

- Sort the laundry by colour and by care label symbol. Most garments have a textile care label in the collar or side seam.

Dark textiles often contain excess dye and should be washed separately several times before being washed together with other garments. Always wash whites and coloureds separately.

Delicate textiles should be washed separately in a delicates programme (use a washing bag where appropriate).

- Curtains:  
Remove lead weights and strips or place in a laundry bag.
- Underwiring and collar stiffeners:  
Any loose wiring in bras, shirt collar stiffeners, etc. should be removed or sewn in.
- Knitted garments, trousers and jeans, T-shirts and sweat shirts:  
Turn inside out, if recommended by the manufacturer.
- Close any zips, fasten hooks and eyes etc before washing.
- Fasten duvet covers to prevent smaller items rolling up inside them.

⚠ Do not wash any items in this machine which are specified by the manufacturer as **non-machine washable** on the care label. (☒ symbol)

## Selecting a programme

To add detergent with the help of the dispensing recommendation feature, follow steps ②, ③ and ④ below before loading the drum.

### ② Switch on the washing machine

- Press in the I-ON/O-OFF button.

### ③ Open the drum door

- Press the *Door* button and open the drum door.

The washing machine is switched on. If the programme selector is at *Finish*, the light ring around the programme selector will flash to remind you to select the programme required.

### ④ Select a programme

- Turn the programme selector to the required programme.

The *Load %* indicator light comes on. As the drum is empty, the display will not yet show any number.

If a number is showing in the display and the drum is empty, rotate the drum once. If the display still shows a number after rotating the drum once, press the button above the START button until an audible tone sounds.

### ⑤ Load the drum

- Unfold the laundry and load loosely in the drum. To achieve best results it is advisable to make up mixed loads consisting of both large and small items. This improves the washing effect and helps distribute the load evenly to keep the machine stable and reduce the noise level during spinning.

The display shows the amount of laundry loaded in the drum as a % (in 25% steps) of the maximum load permissible for the programme selected.

- Loads of less than 25% will not register in the display.
- If the amount of laundry exceeds the maximum load, the 100% value shown in the display will flash to indicate overloading. (Note: This does not apply to Cottons programmes). If the 100% starts to flash, keep removing items from the drum until the 100% stops flashing.

Overloading causes creases and reduces cleaning efficiency.

### ⑥ Close the drum door with a gentle swing.

Make sure that no garments are caught between the drum door and seal.

The *Detergent %* indicator light comes on and the amount of detergent required for the programme selected is shown in the display.



# How to wash correctly

## 7 Add detergent.

The percentage amounts in the display help you to add the correct percentage amount of detergent recommended by the detergent manufacturer.

If the display shows:

40	Add <b>40 percent</b> . . . . (slightly less than half)
50	Add <b>50 percent</b> . . . . (half)
60	Add <b>60 percent</b> . . . . (slightly more than half)
75	Add <b>75 percent</b> . . . . (three quarters)
100	Add <b>100 percent</b> . . . .
. . . of the amount recommended by the manufacturer.	



Take the level of soiling and also the water hardness into account. It is important to dispense the correct amount because . . .

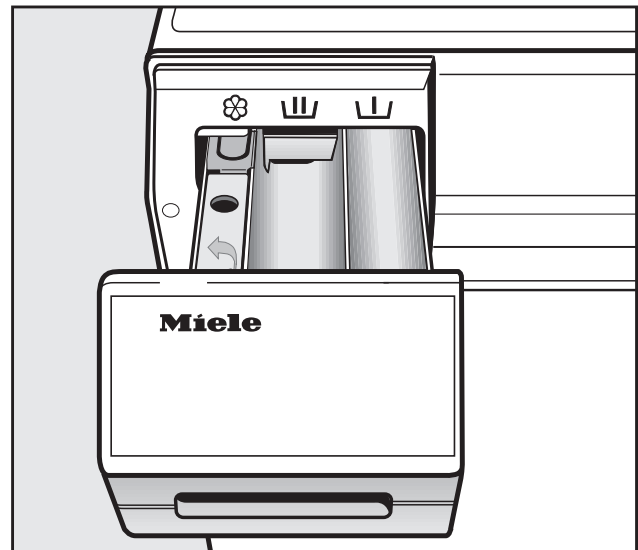
### . . . too much detergent results in:

- Excessive foam, which causes a low level of agitation and poor wash, rinse and spin results.
- High water consumption (an additional rinse cycle will automatically switch in).
- A burden to the environment.




## Liquid detergent

Liquid detergent should be dispensed using a ball provided by the manufacturer for programmes without a pre-wash.

For programmes with a pre-wash you will need to purchase a special container from the Miele Spare Parts department which sits in the main wash compartment  of the detergent dispenser drawer. Add liquid detergent to this container for the main wash and to compartment  for the pre-wash.



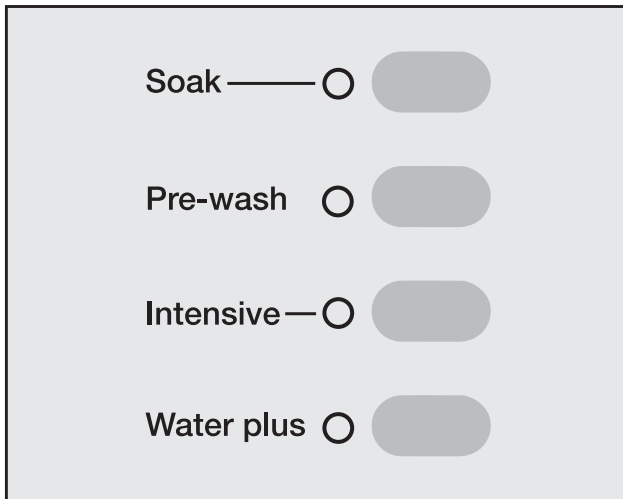
■ Pull out the detergent drawer and add detergent to the compartments as follows:

-  = Detergent for pre-wash (if selecting a pre-wash add  $\frac{1}{4}$  of the total amount recommended) This compartment is also used for starch formulations when starching separately.
-  = Detergent for the main wash including Soak.
-  = Fabric conditioner or liquid starch.

See "Detergent" section for further information.

## Additional options

### 8 Selecting additional options



- Press the appropriate additional option button.

### Soak

For heavily soiled and stained items with protein stains (e.g. blood, fats and oils, cocoa).

Duration of soak: A length of time between 30 minutes and 6 hours can be chosen, in 30 minute increments.

- When the "Soak" button is pressed for the first time, the indicator in the display jumps from *Detergent %* to *Time left h/min* and the first 30 minutes of the soak time are added to the programme time.
- Each further press of the button increases the soak time by 30 minutes up to a maximum of 6 hours. The display shows the time left, which is the soak time and the programme time added together.

### Deleting the soak time

- Press the *Soak* button repeatedly until the indicator light goes out.

### Pre-wash

For heavily soiled laundry and items with dried on stains.

### Intensive

For normal to heavy soiling with visible staining.

The duration of the main wash is increased.

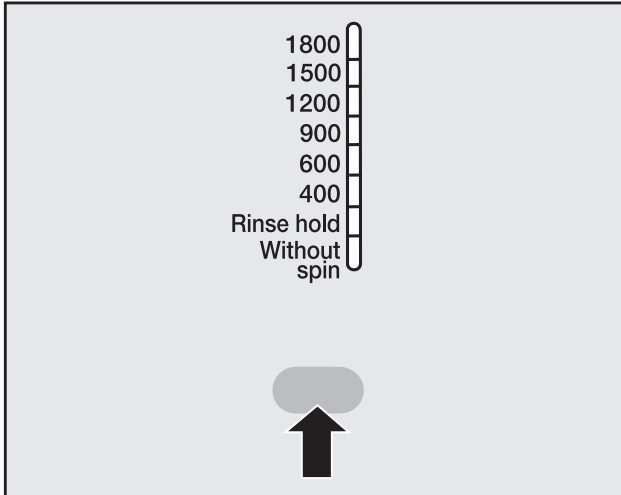
### Water plus

If you want to increase the water level for a wash process you can choose one of the four options for the *Water plus* button. The options are explained in the section on "Programmable functions - Water plus system".

The machine is set at the factory so that the water level in the main wash and rinses will be increased if the *Water plus* button is pressed.

# How to wash correctly

## 9 Select a spin speed

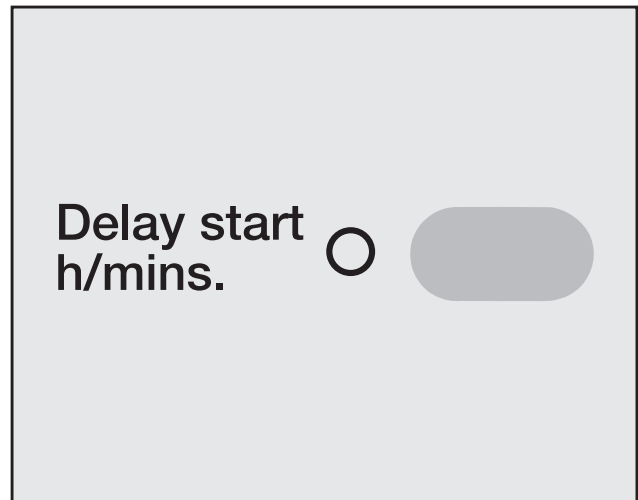


- Press the "Spin" button repeatedly until the indicator light for the spin speed you want comes on.

In some programmes the maximum spin speed is limited. The machine will not allow a higher spin speed to be selected.

## Delay start

### 10 Select delay start if required.



- Press the *Delay start* button. Each press on the button increases the delayed time:

- by 30 minutes up to 10 hours,
- by 1 hour from 10 hours upwards.

#### To delete delay start

- Press the *Delay start* button once when *24h* is showing in the display.

### 11 Press the START button

This starts the programme. The programme duration will appear in the display and the *Time left h/mins* indicator light will come on.

## At the end of a programme

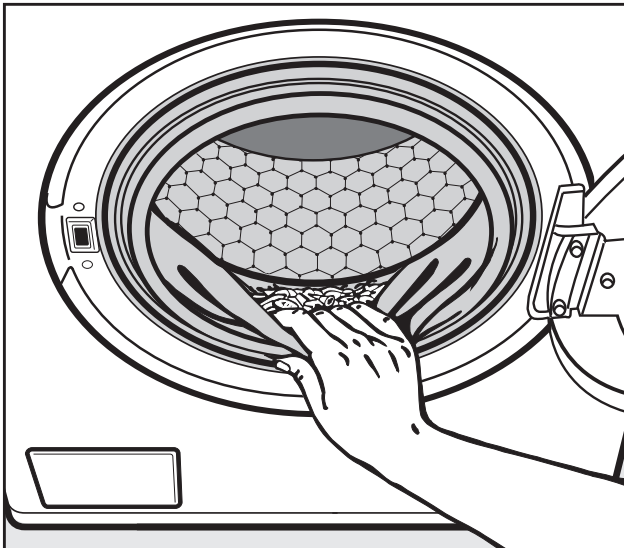
When the *Anti-crease/Finish* indicator light comes on the laundry can be removed from the drum. (This light stays on at the end of the programme and remains on until the selector is turned back to the *Finish* position).

### 12 Open the drum door

- Press the *Door* button.

### 13 Remove the laundry

⚠ Only remove laundry from the machine once the drum has stopped turning. Reaching into a moving drum is extremely dangerous and could result in injury.



- Check the folds in the door seal for any small articles, e.g. buttons which might be lodged there.

Check that all the items have been removed. Items left in the drum could discolour other items in the next wash or become discoloured themselves.

### 14 Switch off the washing machine

- Press the I-ON/O-OFF button and turn the programme selector to *Finish*. The *Anti-crease/Finish* light will then go out.

### 15 Close the drum door

Otherwise there is the danger of objects being placed inadvertently in the drum. If these remained unnoticed and were washed in the next load, they could damage the laundry.

# How to wash correctly

---

## Adding or removing laundry after a programme has started

Laundry can be added or removed after the programme has started when using the following programmes:

- COTTONS
- MINIMUM IRON
- Quick wash
- Mixed wash
- Starch

■ Press the *Door* button in and hold it until the door springs open.

■ Add or remove items.

■ Close the door.

The programme will continue automatically.

### Please note:

Once a programme has started the machine cannot recognise any adjustment to the load. For this reason if laundry is added or removed after the start of a programme, the machine will always complete the programme cycle for a full load which can lead to an increase in the time remaining for the programme shown in the display.

### The door cannot be opened, when:

- the suds temperature is above **55°C**.
- the water is above a certain level.
- programme locking is switched on.
- the programme has reached the *Final spin* stage.

The *locked* indicator light will come on if the *Door* button is pressed when the above conditions are present.

## Interrupting a programme

- Switch the washing machine off with the I-ON/O-OFF button.

To continue with the same programme:

- Switch the machine back on with the I-ON/O-OFF button.

## Altering a programme once selected

The machine will accept the following changes after a programme has started:

- at any time after the start, the spin speed can be changed within the limits for the programme.
- up to 6 minutes after the start, the additional functions *Water plus* and *Intensive* can be selected or deselected and a different temperature can be selected for the programme in use, e.g. from COTTONS 60°C to COTTONS 40°C.

After the start of a programme it is no longer possible to select a different programme, e.g. change from a MINIMUM IRON to a COTTONS programme.

If the programme selector is moved, the indicator light *Anti-crease/Finish* will start flashing. However, the programme sequence remains unaffected. The indicator light will go out again when the programme selector is moved back to the programme previously chosen.

## Skipping a programme stage

- Turn the programme selector to *Finish*.

As soon as the programme sequence indicator light for the programme stage you want the programme to continue at, starts flashing:

- Turn the programme selector back again to the appropriate programme within 4 seconds.

Programmes cannot be altered and programme stages cannot be skipped if programme locking has been activated.

## To cancel or select a different programme

- Switch the machine off with the I-ON/O-OFF button.
- Turn the programme selector to *Finish*.

The programme has now been cancelled.

- Switch the machine back on with the I-ON/O-OFF button.
- Select a different programme.
- Press the START button.

# How to wash correctly

---

## Programme sequence

This washing machine has fully electronic controls with automatic load recognition. This machine takes in the right amount of water required for the programme depending on the amount of laundry and its absorbency rate. This means that programme cycles and durations shown in the display can vary.

The programme sequences outlined below are based on the basic programme with a full load. Additional options which can be selected have not been taken into account.

The programme sequence indicator lights show the stage the programme has reached.

### COTTONS

#### Main wash

Water level: low

Wash rhythm: normal

#### Rinses

Water level: medium

No of rinses: 2 or 3<sup>1)</sup>

#### Spinning

Rinse and interim spin<sup>2)</sup>: yes

Final spin: yes

### MINIMUM IRON

#### Main wash

Water level: low

Wash rhythm: normal

#### Rinses

Water level: high

No of rinses: 2 or 3<sup>1)</sup>

#### Spinning

Rinse and interim spin<sup>2)</sup>: yes

Final spin: yes

### DELICATES

#### Main wash

Water level: high

Wash rhythm: Gentle action

#### Rinses

Water level: high

No of rinses: 3

#### Spinning

Rinse and interim spin: no

Final spin: yes

### Silks

#### Main wash

Water level: medium

Wash rhythm: Silks

#### Rinses

Water level: medium

No of rinses: 2

#### Spinning

Rinse and interim spin: no

Final spin: yes

# How to wash correctly

## WOOLLENS

### Main wash

Water level: medium

Wash rhythm: Woollens

### Rinses

Water level: medium

No of rinses: 2

### Spinning

Rinse and interim spin<sup>2)</sup>: yes

Final spin: yes

## Quick wash

### Main wash

Water level: low

Wash rhythm: normal

### Rinses

Water level: medium

No of rinses: 2

### Spinning

Rinse and interim spin<sup>2)</sup>: yes

Final spin: yes

## Mixed wash

### Main wash

Water level: low

Wash rhythm: normal

### Rinses

Water level: high

No of rinses: 2

### Spinning

Rinse and interim spin<sup>2)</sup>: yes

Final spin: yes

## Starch

Water level: low

Wash rhythm: normal

Final spin: yes

## Separate rinse

Water level: high

No of rinses: 2

Final spin: yes

## Special features in the programme sequences:

### Anti-crease:

At the end of every programme, with the exception of the WOOLLENS programme, the anti-crease action switches on for a maximum of 30 minutes. The door can be opened and laundry removed at any time during the anti-crease phase.

<sup>1)</sup> A third rinse takes place automatically if:

- there is too much foam in the drum
- a spin speed of lower than 700 rpm has been selected.
- *Without spin* has been selected

<sup>2)</sup> Rinse and interim spin:

There is a spin between the rinses.

Omitting rinse and interim spin:

Select *Without spin* on the spin speed display.






# Detergent

---

All modern detergents produced for automatic washing machines are suitable, including liquid, compact (concentrated), tablets, liquid tablets and special application detergents. Use dispensing aids, e.g. balls, if these are supplied with the detergent. Tablets are suitable for full loads but note that it may be impractical to reduce tablets by proportion to suit smaller loads! Woollens and knitwear containing wool mixtures and hand-washable garments should be washed using a detergent specifically designed for washing woollens.

Silk should be washed using a liquid detergent specifically designed for washing woollens. Do not use biological detergents on silk as the enzymes may damage the silk! Instructions for use and recommended amounts for a full load are given on the detergent packaging.

■ Add detergent to the compartments as follows:

-  = Detergent for pre-wash (if selecting a pre-wash add  $\frac{1}{4}$  of the total amount recommended) This compartment is also used for starch formulations when starching separately.
-  = Detergent for the main wash including Soak.
-  = Fabric conditioner or liquid starch.

## The right amount to dispense will depend on the following:

- The quantity of laundry (follow the machine's dispensing recommendation and reduce the amount of detergent with smaller loads as indicated on the display)

- The soiling level of the laundry.

### Lightly soiled

No visible dirt or stains. Possibly slight body odour.

### Normally soiled

Visibly dirty and/or just a few slight stains.

### Heavily soiled

Stains and soiling clearly visible.

- The water hardness level.

Check with your local water supplier if you do not know the water hardness level in your area.


## Water softeners

A water softener can be used to cut down on the use of detergents in extremely hard water areas. Dispense according to the amount specified on the packaging. First add detergent and then the water softener.

Use a quantity of detergent as for soft water.

Miele do not recommend connecting the machine to a household water softener.

## Washing with several components

If you wash using several components (e.g. special application detergents), we recommend always dispensing the agents into compartment  in the following order:

1. Detergent
2. Water softener
3. Stain remove

This way the agents are distributed more efficiently.

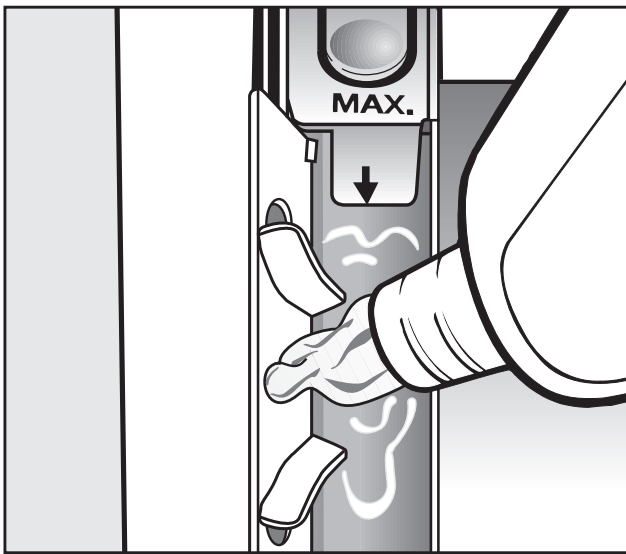
## Fabric conditioners and liquid starch

Fabric conditioners make garments soft and fluffy to handle and help prevent static cling when tumble drying.

Starch stiffens and gives body to items of laundry, e.g. shirts, tablecloths and bed linen.

- Dispense according to the amount specified on the packaging.

## Automatic dispensing of fabric conditioner or liquid starch to laundry at the end of a programme



- Add the fabric conditioner or liquid starch to compartment ☼. **Do not exceed the maximum level mark.**

The conditioner or liquid starch is automatically dispensed in the last rinse. At the end of the programme a small amount of water remains in the fabric conditioner compartment ☼.

If starching frequently, the dispenser compartment and especially the siphon tube and conditioner channel will need regular cleaning to remove any residual starch. See "Cleaning the detergent dispenser drawer". Do not add starch formulations or viscous liquid starch to the ☼ compartment as it will clog it up. See "Adding starch separately".

## Adding fabric conditioner separately

- Add fabric conditioner to compartment ☼.
- Turn the programme selector to *Starch*.
- Select a spin speed.
- Press the START button.

## Adding starch separately

Use the separate *Starch* programme when using starch formulations or viscous liquid starch.

- Prepare and measure the starch in accordance with the manufacturer's instructions.
- Add starch to compartment ▮.
- Turn the programme selector to *Starch*.
- Select a spin speed.
- Press the START button.

## Colour run and dye removers/dyes

- Do not use colour run or dye removers in this washing machine.
- Dyes suitable for use in domestic washing machines can be used. However, please note that the salt used in the dyeing process can cause corrosion to stainless steel components in the machine if you dye frequently. Always observe the manufacturer's instructions carefully.

# Locking functions

---

## Electronic programme locking

Programme locking prevents the machine from being opened or the programme cancelled during a wash programme.

### To activate programme locking

- After the start of a programme, press the START button for at least 4 seconds until the *locked* check light (lower right on the control panel) comes on.

Programme locking is now activated.

The machine will now not accept any changes and the programme will proceed through to the end. The door is locked when programme locking is activated.

Programme locking is deactivated automatically at the end of the programme.

## Deactivating programme locking early

- Press the START button for at least 4 seconds until the *locked* check light (lower right on the control panel) goes out.

Exception:

If the programme selector has been moved and the *Anti-crease/Finish* indicator light is flashing in the sequence display.

- First, turn the programme selector back to the programme chosen previously. The *Anti-crease/Finish* indicator light will go out.
- Now press the START button for at least 4 seconds until the *locked* check light (lower right on the control panel) goes out

## Electronic system lock

The system lock prevents your machine being used without your knowledge.

When the system lock has been activated:

- the drum door cannot be opened with the *Door* button and
- a programme cannot be started.

## To activate the system lock

First, ensure that:

- The drum door is closed
- The programme selector is at *Finish*.

- ➊ Switch on the washing machine with the I-ON/O-OFF button.
- ➋ Press the *Pre-wash* button and keep it pressed in while carrying out steps ➌ to ➍
- ➌ Slowly turn the programme selector clockwise stage by stage to COTTONS 60°C.
- ➍ Now slowly turn the programme selector anti-clockwise stage by stage to *Finish*.


- ➎ Next slowly turn the programme selector anti-clockwise stage by stage to DELICATES cold. The *locked* check light (lower right on the control panel) will flash.
- ➏ Now release the *Pre-wash* button.
- ➐ Turn the programme selector to *Finish*.
- ➑ Switch the washing machine off with the I-ON/O-OFF button.

## To de-activate the system lock


Repeat steps ➊ to ➑. The *locked* check light goes out.

# Cleaning and care

---

 Disconnect the appliance from the mains electricity supply and withdraw the plug from the socket prior to cleaning the machine.

- Clean the casing with a mild non-abrasive detergent or soap and water. Wipe dry with a soft cloth.
- Clean the fascia panel with a damp cloth and wipe dry with a soft cloth.
- The drum can be cleaned using a suitable proprietary stainless-steel cleaning agent.

 Do not use solvents, abrasive cleaners, glass cleaners or all-purpose cleaning agents. These might damage plastic surfaces and other components because of the chemicals they contain.  
The washing machine must not be hosed down.

## E-Cloth

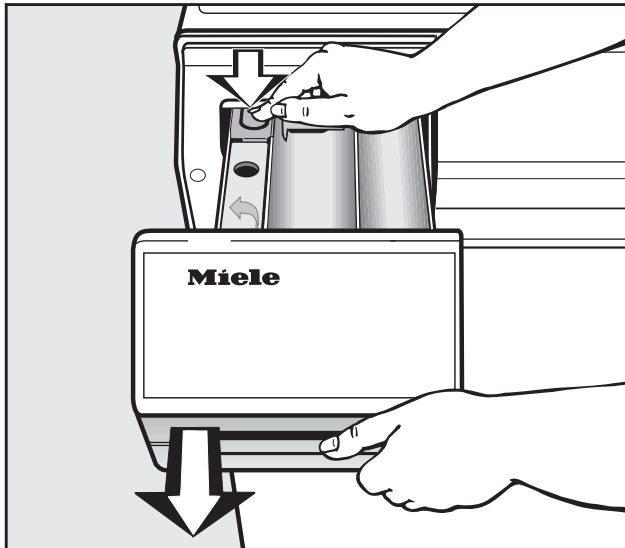
A microfibre "E-Cloth" is available from the Miele UK Spare Parts Department, Part number 98013530, which is suitable for cleaning surfaces such as stainless steel, glass, plastic and chrome without the use of chemicals. It can be washed 300 times.

## Extra cleaning

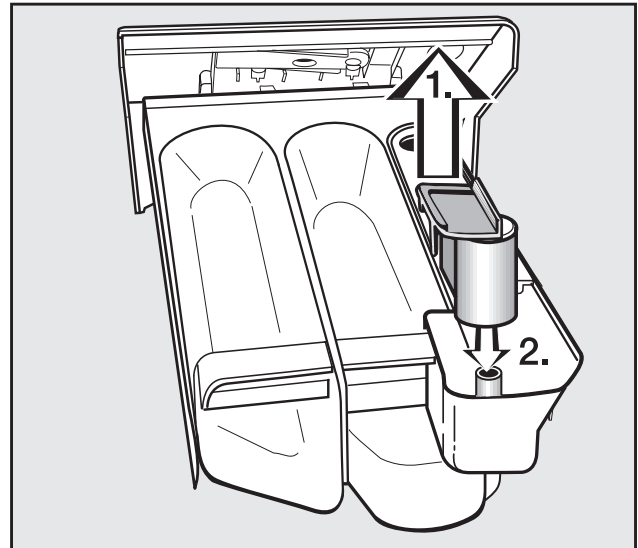
Carry out a hot wash (70°C or above) with powder detergent approx. every 6 weeks to help prevent deposits building up in the machine. These can occur when washing is mainly done at low temperatures, and also lead to unpleasant smells. If you have no reason to wash occasionally at this high temperature, then run a Cottons 95°C programme with detergent but no laundry at regular intervals.


## Cleaning the detergent dispenser drawer

Remove detergent residues regularly.



- Pull out the detergent dispenser drawer until a resistance is felt. Press down the release catch and at the same time pull the drawer right out of the machine.
- Clean the detergent drawer with warm water.



- Clean the siphon.
1. Remove the siphon from compartment . Wash under running warm water. Clean the siphon tube in the same way.
  2. Replace the siphon.

Over time, detergent residue can build up in the water jets in the top of the detergent drawer housing.

- Before replacing the detergent drawer, use a bottle brush or similar to clean them out.

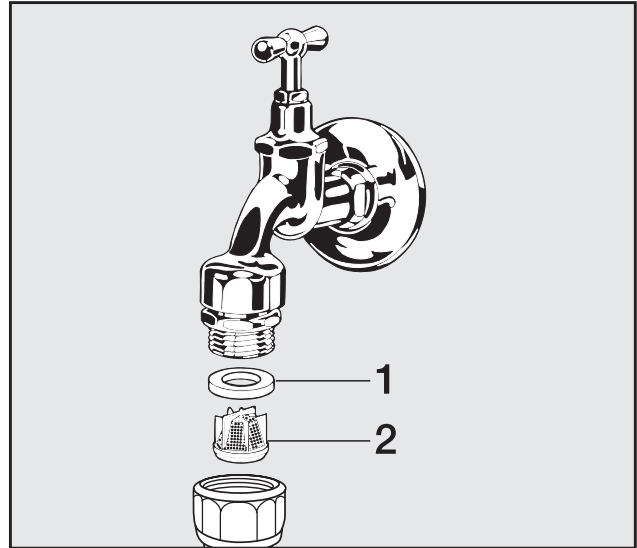
# Cleaning and care

## Cleaning the filter in the water inlet

The washing machine has a filter to protect the water inlet valve.

The accessible filter in the union in the open end of the inlet hose should be checked every six months, or more often if there are frequent interruptions to the external water supply.

- First turn off the stopcock.
- Unscrew the threaded union connecting the free end of the inlet hose to the stopcock.




- Remove the rubber seal **1** from the recess.
- Using pointed pliers, take hold of the plastic filter bar **2** and remove.
- Clean the plastic filter.
- Put the filter and seal back in the reverse order and reconnect the hose.

Turn on the stopcock and check the connection is watertight. If water drips out, tighten the connection.

**Never** forget to put the filter back in place after cleaning.

### What to do if ...

With the help of the following notes, minor faults in the performance of the appliance, some of which may result from incorrect operation, can be put right without contacting the Service Department.

 Repair work to electrical appliances should only be carried out by a suitably qualified person in accordance with local and national safety regulations. Repairs and other work by unqualified persons could be dangerous. The manufacturer cannot be held liable for unauthorised work.

The chart is divided into the following sections to help you:

- The programme does not start.
- The wash programme stops and a fault indicator light comes on.
- A fault indicator light comes on but the wash programme continues as normal.
- Problems with the load size indicator and the dispensing recommendation.
- General problems or an unsatisfactory wash result.
- The drum door cannot be opened by pressing the Door button



## Problem solving guide

<b>The programme does not start</b>		
<b>Fault indicator</b>	<b>Possible cause</b>	<b>Remedy</b>
<b>The <i>Anti-crease / Finish</i> indicator light is not on, or the <b>START</b> indicator light is not flashing.</b>	There is no power.	Check that <ul style="list-style-type: none"> <li>– the mains plug is plugged in.</li> <li>– the fuse or circuit breaker has not tripped.</li> </ul>
<b>The <b>START</b> indicator light is not flashing.</b>	The lamp for the drum lighting is not securely correctly in its socket.	Reconnect the lamp in its socket.
<b>The <i>Locked</i> check light is flashing.</b>	The system lock has been activated.	Deactivate the system lock.
<b>The programme does not start when <i>Drain/Final spin</i> has been selected.</b>	The washing machine has not been prepared for using for the first time.	Prepare the machine as described in "Before using for the first time".

The wash programme stops and a fault indicator light comes on.		
Fault indicator	Possible cause	Remedy ❶
The buzzer sounds and the <i>Check drain</i> light flashes. "– – –" appears in the display.	The water outlet is blocked.	Clean the fluff filter and the drain pump as described in "Problem solving guide - Opening the door in the event of a blocked drain outlet and/or power failure".
	The drain hose has been fixed too high.	The maximum drain height is 1 m.
The buzzer sounds and the <i>Check inlet</i> light flashes. "– – –" appears in the display.	The water inlet is blocked.	Open the stopcock.
The buzzer sounds and the <i>Check inlet</i> and <i>Check drain</i> lights flash. "– – –" appears in the display.	The Waterproof system has reacted.	Call the Service Department.
The buzzer sounds and the <i>Soak/Pre-wash</i> or <i>Rinses</i> indicator light flashes in the programme sequence display. "– – –" appears in the display.	There is a fault.	Start the programme again. If the fault indicator occurs again, contact the Service Department.

- ❶ To switch off the fault indicator: switch the washing machine off with the I-ON/O-OFF button and turn the programme selector to *Finish*.

## Problem solving guide

A fault indicator light comes on but the wash programme continues as normal.		
Fault indicator	Possible cause	Remedy ❶
The <b>Check drain</b> light flashes.	The drain outlet is restricted.	Clean the fluff filter and the drain pump as described in "Problem solving guide - Opening the door in the event of a blocked drain outlet and/or power failure".
The <b>Check inlet</b> light flashes.	The water inlet is restricted.	Check whether <ul style="list-style-type: none"> <li>– the stopcock is opened wide enough.</li> <li>– the inlet hose is kinked.</li> </ul>
	The filter in the water inlet hose is dirty.	Clean the filter.
The <b>Excess detergent</b> check light comes on.	Excessive foam has built up during washing.	Use less detergent next time and follow the manufacturer's instructions on dosage given on the packaging.
The <b>Main wash</b> indicator light is flashing in the programme sequence display.	There is a fault.	Start the programme again. If the fault indicator occurs again, contact the Service Department.
The <b>Anti-crease/Finish</b> indicator light flashes in the programme sequence display.	The position of the programme selector was altered after the start of the programme. Turn the programme selector back to the programme previously chosen.	

- ❶ To switch off the fault indicator: switch the washing machine off with the I-ON/O-OFF button and turn the programme selector to *Finish*.


### Problems with the load size indicator and the dispensing recommendation

Problem	Possible cause	Remedy
<b>There is no load size in the display</b>	The washing machine is not switched on and / or a programme has not been selected.	Switch the washing machine on. Select a programme and load the drum.
	The amount of laundry in the drum is less than 25% of the maximum load for the programme selected.	The display will come on when 25% has been loaded.
	When the washing machine was switched on there was already laundry in the drum. This has decalibrated the sensor from the zero position.	Remove the laundry from the drum and press the button above the START button until an audible tone sounds. The sensor is now recalibrated to zero.
<b>A load size is indicated in the display but there is no laundry present in the drum.</b>	The load size sensor has been decalibrated from the zero position.	Rotate the drum once. If the display does not go out, recalibrate the sensor to zero (see above section).
<b>No load size is indicated in the display for the DELICATES, Silks and the WOOLLENS programmes.</b>	The maximum load is 1 kg for the DELICATES and <i>Silks</i> programmes and 2kg for the WOOLLENS programmes. In some cases the load size sensor fails to register these small quantities. (The dispensing recommendation will still show the minimum value of 40%).	Rotate the drum once.

## Problem solving guide

General problems or an unsatisfactory wash result		
Problem	Possible cause	Remedy
<b>The machine shakes during the spin cycle.</b>	The four feet are not resting evenly on the floor.	Level the machine. See advice on installation.
<b>The laundry has not been spun satisfactorily.</b>	The spin speed selected was too low.	Select a higher spin speed next time.
<b>The pump makes strange noises.</b>	These do not indicate a fault. They occur at the beginning and end of a pumping sequence as a normal part of the operation.	
<b>The programme selector light ring is not lit up.</b>	The machine has switched off the light ring to save energy. To switch the light ring back on again: press one of the additional option buttons or turn the programme selector.	
<b>Large residues of detergent remain in the dispenser drawer.</b>	The water supply pressure is too low.	<ul style="list-style-type: none"> <li>– Clean the filter in the water inlet system.</li> <li>– It may be useful to press the <i>Water plus</i> button.</li> </ul>
	Washing powder used with water softener tends to become sticky.	Pour washing powder into the dispenser before adding any water softener.
<b>Fabric conditioner is not completely dispensed or too much water remains in the compartment.</b> ☼	The siphon is either incorrectly positioned or clogged.	Clean the siphon, see "Cleaning and care - Cleaning the detergent drawer".
<b>When laundry is dry it feels hard to the touch.</b>	Too vigorous wash action.	Programme in gentle action and more water.
	Not enough detergent used.	Increase detergent dose to prevent limescale build up in laundry.
	No fabric conditioner used.	Use fabric conditioner in last rinse.

## Problem solving guide

Problem	Possible cause	Remedy
<b>Liquid detergent does not give the required result.</b>	Liquid detergents do not contain bleaching agents. They do not remove fruit, coffee and tea stains.	<ul style="list-style-type: none"> <li>– Use a general purpose washing machine powder containing a bleaching agent.</li> <li>– Pour stain removers into compartment  of the dispenser drawer and liquid detergent into a dispenser ball.</li> <li>– Never put stain removers and liquid detergent together in the dispenser drawer.</li> </ul>
<b>Grey, greasy particles cling to washed laundry.</b>	Insufficient amounts of detergent were used to break down the particles of grease in heavily soiled laundry.	<ul style="list-style-type: none"> <li>– Add more detergent.</li> <li>– Before washing the next load run a COTTONS 95°C programme with powder detergent but without a load. (See also "Extra cleaning" in Cleaning and Care).</li> </ul>
<b>A stale smell is in the drum and on laundry.</b>	Low temperature washing.	Before washing the next load run a COTTONS 95°C programme with powder detergent but without a load. (See also "Extra cleaning" in Cleaning and Care).
<b>There are white residues which look like powder detergent on dark coloured laundry.</b>	The detergent contained compounds (zeolites) to aid water softening which are not soluble in water. These have ended up on the laundry.	<ul style="list-style-type: none"> <li>– Try and brush off the residues with a soft brush once the laundry is dry.</li> <li>– Use a liquid detergent to wash dark coloured textiles. Liquid detergents usually contain no zeolites.</li> </ul>
<b>Machine is constantly overfoaming/ excess detergent light is on.</b>	Machine connected to a water softener.	Connect machine to mains water and dose detergent for hard water.
	Too much detergent was used.	Reduce detergent.
	Too little detergent was used.	Increase detergent slightly to bring back foam suppressant ingredients to the load.
<b>Clothes are coming out creased.</b>	Programme was overloaded.	Reduce quantity of clothes in drum.
	The wrong programme was used.	<ul style="list-style-type: none"> <li>– Check care labels with section "How to wash correctly".</li> <li>– Use easy iron conditioners.</li> </ul>

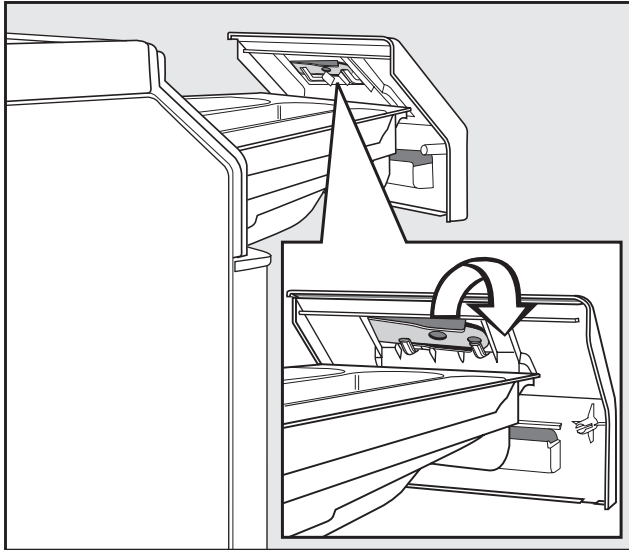
## Problem solving guide

<b>The drum door cannot be opened by pressing the Door button</b>	
<b>Possible cause</b>	<b>Remedy</b>
<b>The machine is not connected to the electricity supply.</b>	Insert the plug in the socket and switch on.
<b>The machine is not switched on.</b>	Switch the machine on with the I-ON/O-OFF button.
<b>The electronic programme lock has been activated.</b>	This is automatically deactivated at the end of a programme. To deactivate it early see "Locking functions".
<b>The electronic system lock has been activated.</b>	To deactivate it see "Locking functions".
<b>Power cut</b>	Open the drum door as described in the section "Opening the door in the event of a blocked drain outlet and/or power failure".
<b>The drum lighting is not in position properly.</b>	Open the drum door as described in the section "Opening the door in the event of a blocked drain outlet and/or power failure." Then fit the lamp correctly.
<b>The door was not correctly engaged.</b>	Press hard against the lock side of the drum door and then press the <i>Door</i> button.
<b>There is still water in the drum and the machine is unable to drain.</b>	Clean the fluff filter and the drain pump.
For safety reasons the drum door cannot be opened when the suds temperature is higher than 55°C.	

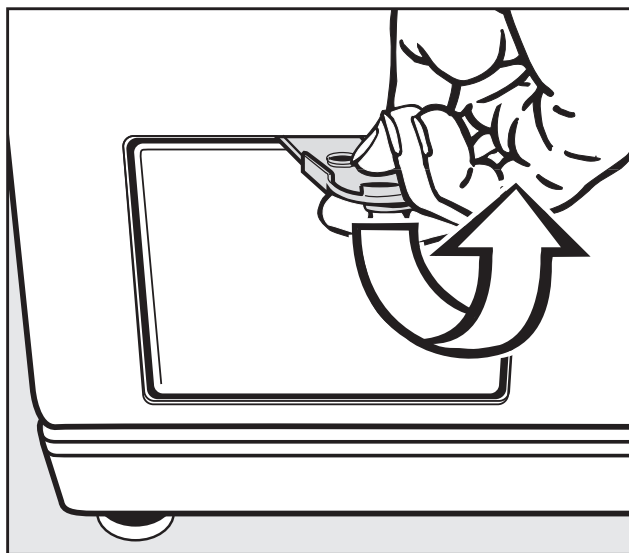
### Opening the drum door in the event of a blocked drain outlet and/or power failure

- Switch the washing machine off.

There is a filter flap opener behind the detergent drawer fascia panel.



- Remove the opener.



- Use it to open the access flap.

### Blocked drain outlet

If the drain outlet is blocked, up to 25 litres of water will be retained in the machine.

⚠ Caution: if laundry has been washed at a high temperature, water draining out of the machine will still be hot. Danger of scalding!

### Procedure for draining the machine

- Place a suitable container under the access flap.

When draining water from the machine, do **not** unscrew the fluff filter completely or take it right out.



- Unscrew the fluff filter lid until water runs out.

To interrupt the flow of water:

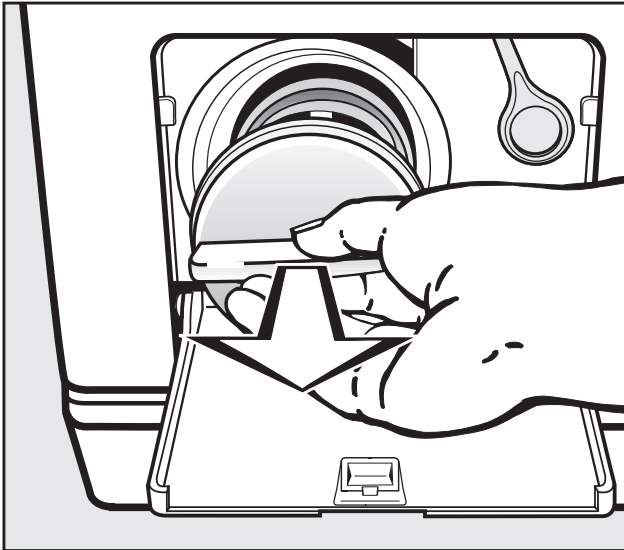
- Tighten the fluff filter back up again.



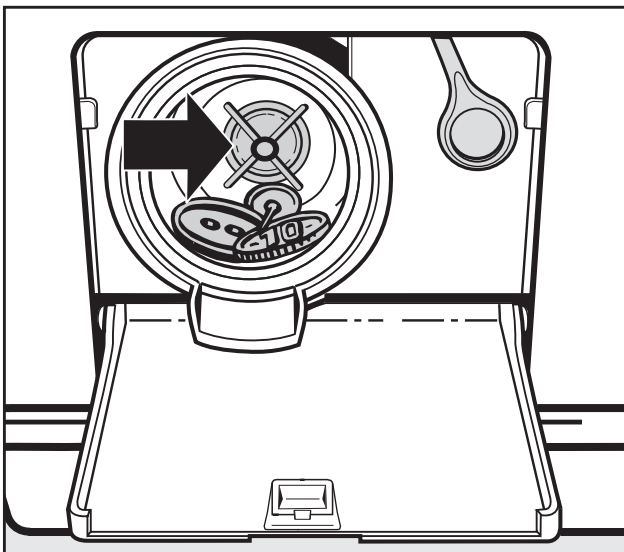
## Problem solving guide

Once the flow of water ceases:

- Remove the fluff filter completely.



- Clean the fluff filter thoroughly.

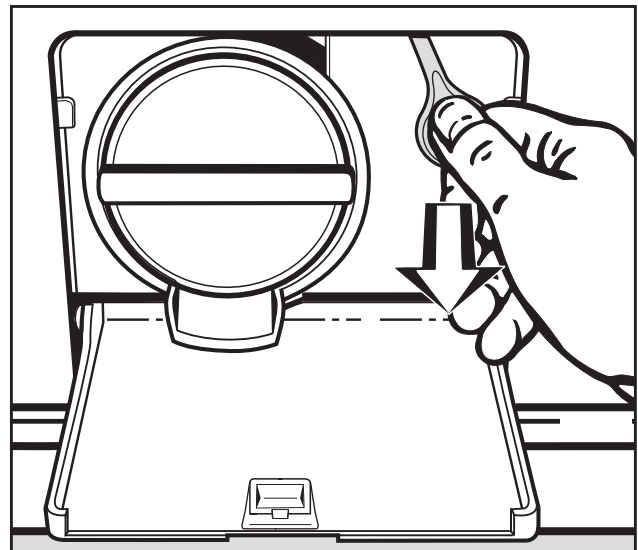


- Remove any foreign objects (e.g. buttons, coins, etc.) and fluff. Turn the impeller by hand to check that it rotates freely. Any foreign object causing an obstruction should be removed.
- Put the fluff filter back in place and secure.

⚠ Make sure the fluff filter is securely tightened. Otherwise there is a risk of water leakage during use.

### Opening the drum door

⚠ Always make sure that the drum is stationary before reaching into the machine to remove laundry. Reaching into a moving drum is extremely dangerous.

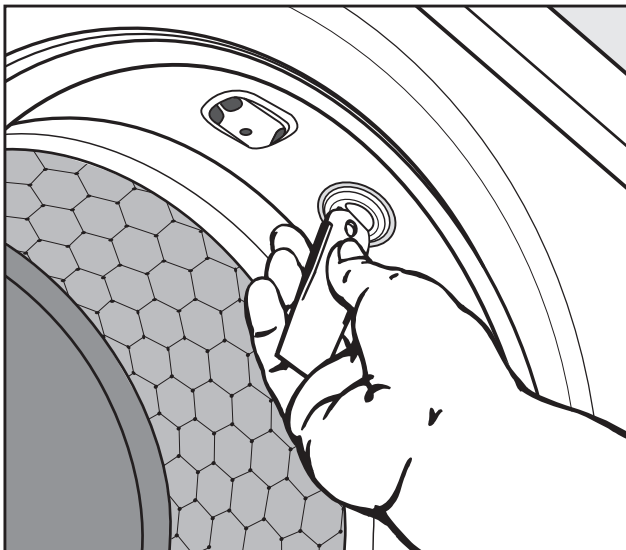


- Pull the emergency release downwards (see illustration). The drum door will open.

### Changing the lamp for the drum lighting

The washing machine will still operate with no lighting in place or if the lighting is faulty.

- Remove the yellow lever from behind the detergent drawer facia panel as described previously.
- Switch the washing machine on and open the drum door.
- Now disconnect the washing machine from the electricity supply, see "Warning and Safety instructions".

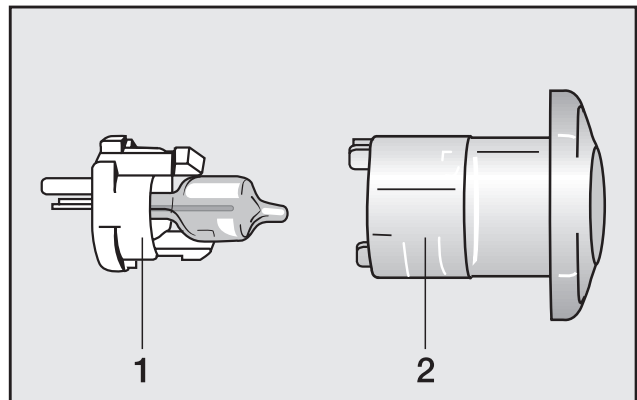


- Insert the lever into the slot in the drum lighting unit (see illustration) and turn anti-clockwise (a quarter turn) until you feel a resistance.
- Pull out the loosened unit with your fingers.
- Press the two prongs to separate the plastic holder **1** from the protective cover **2**.

- Remove the faulty lamp from the plastic holder.

The new lamp must be of the same type (G4) with a maximum power output of 5 watts/12 volts.

The lamps are available from an electrical retailer, your Miele Dealer or from the Miele Spare Parts Department.



- Insert the new lamp into the plastic holder.
- Carefully fit the plastic holder and the protective cover together.
- Insert the lighting unit back into the socket and turn it clockwise to secure it.

It is absolutely essential for the correct functioning of the washing machine that the drum lighting unit is fitted correctly in position.

# Problem solving guide

---

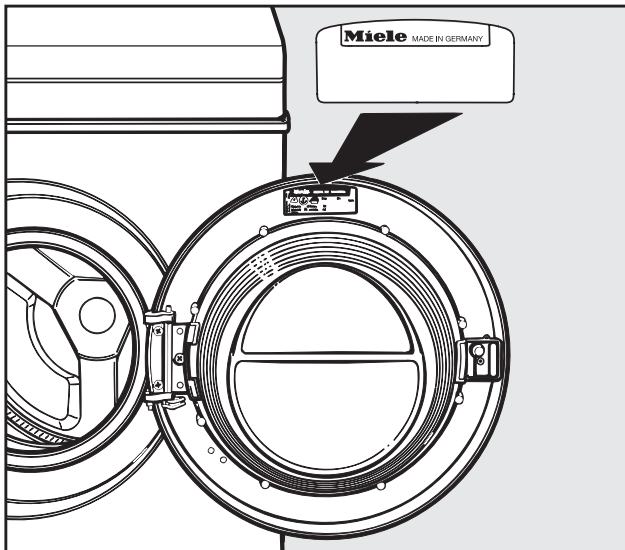
## Customer contact

In the event of any faults which you cannot remedy yourself please contact

- Your Miele dealer or
- Your nearest Miele Service Department (see back cover for the address).

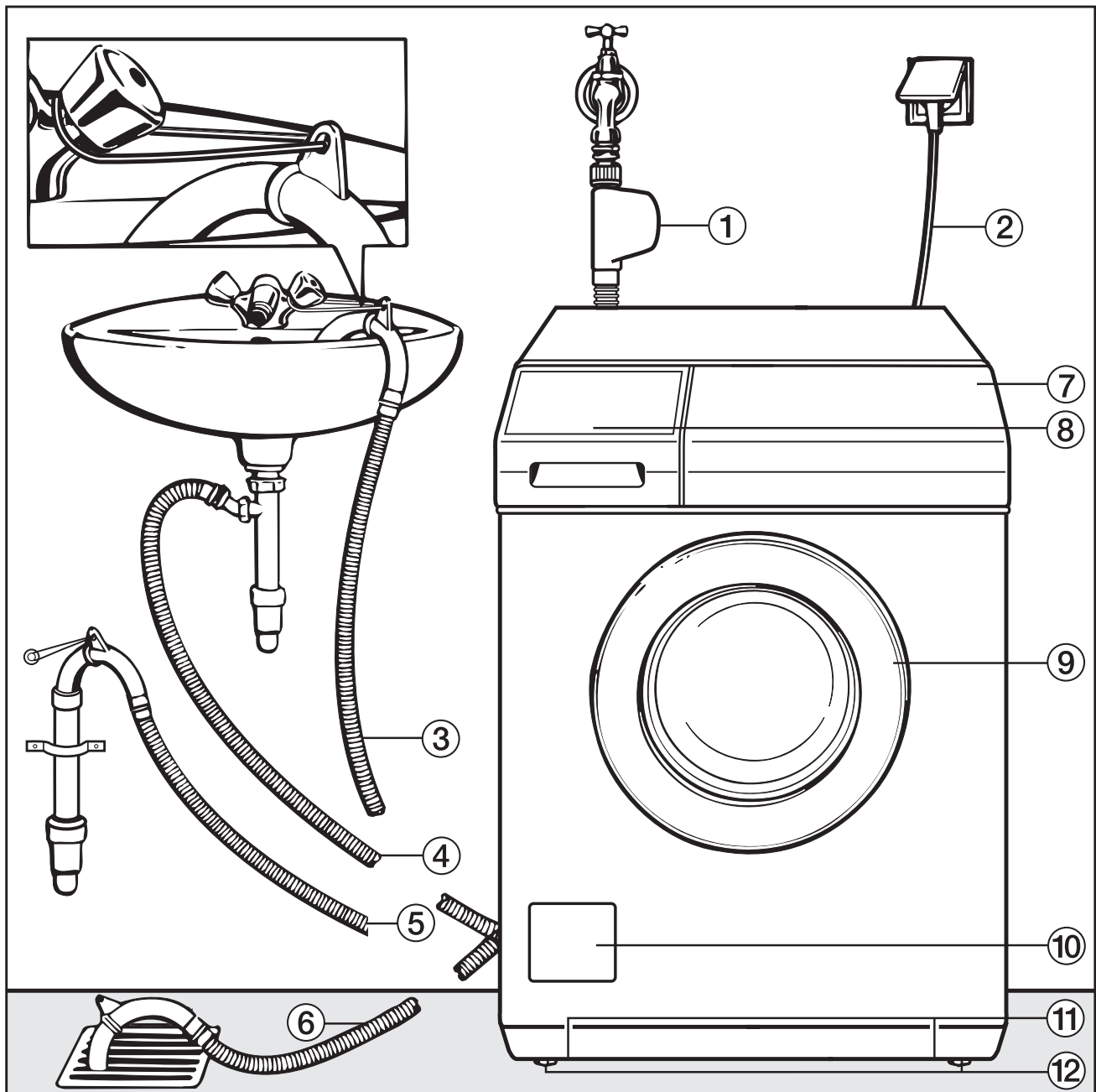
When contacting the Service Department, please quote the model and serial number of your appliance, both of which are shown on the data plate visible at the top inside of the door above the porthole glass when the door is open.

Please note that telephone calls may be monitored and recorded to improve our service.



# Installation and connection

## Front view



① Inlet hose with "Waterproof" system

② Electricity supply cable

③ - ⑥ Flexible drain hose (with detachable swivel elbow)

⑦ Facia panel with controls

⑧ Detergent dispenser drawer

⑨ Drum door

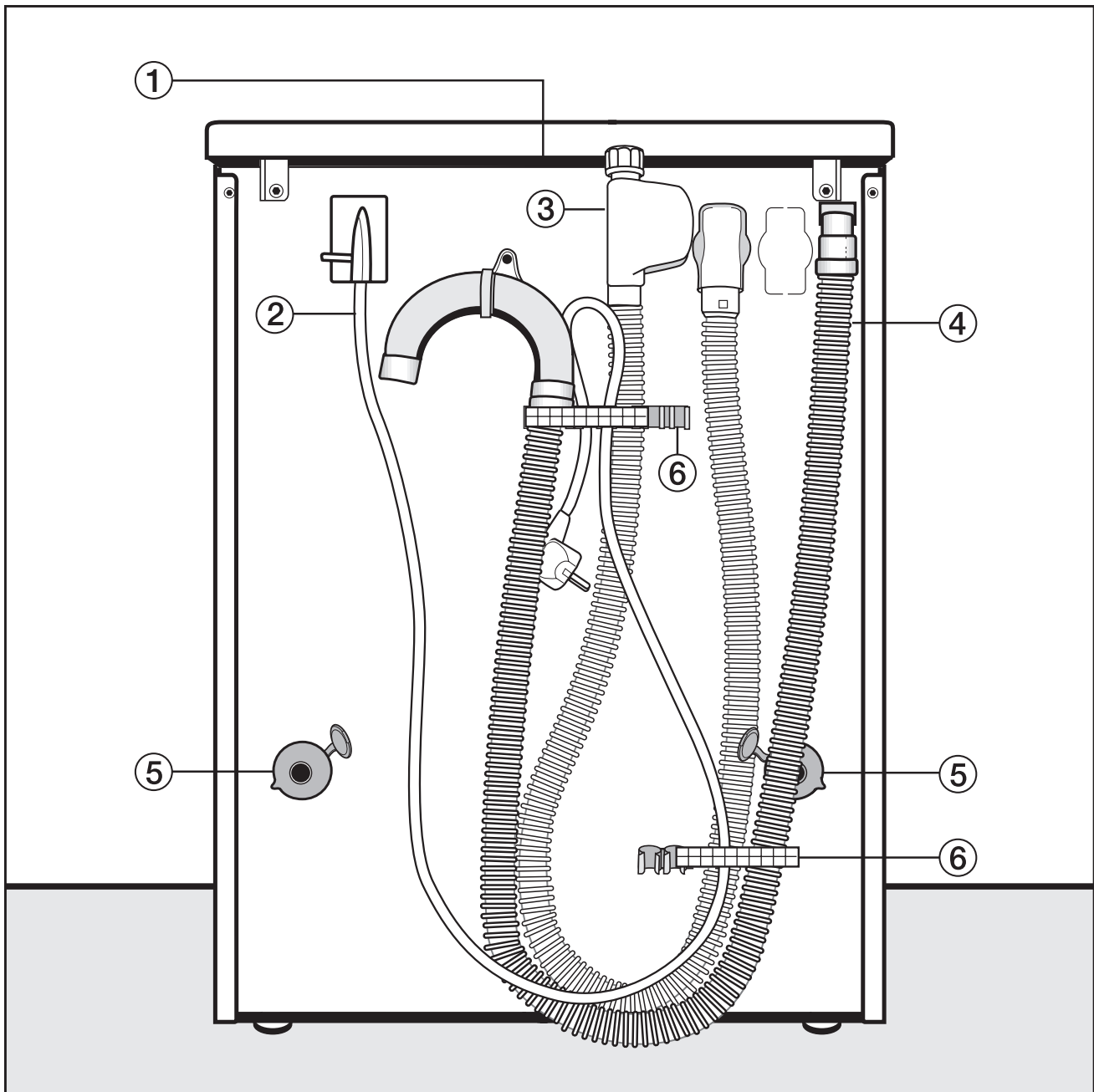
⑩ Flap for fluff filter, drain pump and emergency release

⑪ Handle recesses for moving the machine

⑫ Four height adjustable feet

# Installation and connection

## Rear view



- ① Protruding lid edge for holding when moving the machine
- ② Electricity supply cable
- ③ Inlet hose with "Waterproof" system
- ④ Drainage hose

- ⑤ Transit bar covers
- ⑥ Restraining clip for:
  - Inlet hose
  - Drain hose
  - Electricity supply cable
  - Transit bars when removed

# Installation and connection

## Installation surface

A concrete floor is the most suitable installation surface for a washing machine, being far less prone to vibration during the spin cycle than wooden floorboards or a carpeted surface.

Please note the following points:

- The machine must be level and securely positioned.
- To avoid vibrations during spinning, the machine should not be installed on soft floor coverings.

If installing on a wooden joist floor:

- We recommend a plywood base (at least 59x52x3 cm). The base should span several joists and be bolted to the joists and not only to the floorboards. Check for the presence of pipes and cables.

If possible, install the machine in a corner, as this is usually the most stable part of the floor.

⚠ If the machine is installed on a raised plinth, it **has to be** secured against slippage during spin using retaining clips (available from the Miele Spare Parts Dept).

## Installing the washing machine

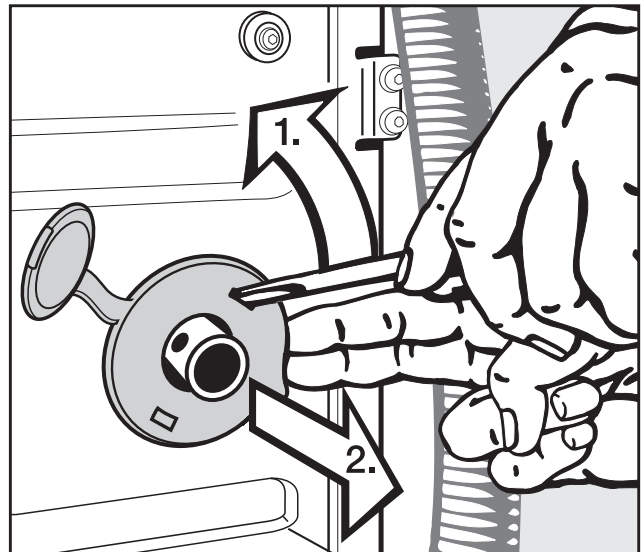
To manoeuvre the machine out of its packing case to its installation site hold it by the edge of the lid where it protrudes to the rear of the washing machine as well as by the handle recesses at the front.

Please note:

- Do not lift the machine by the drum door.

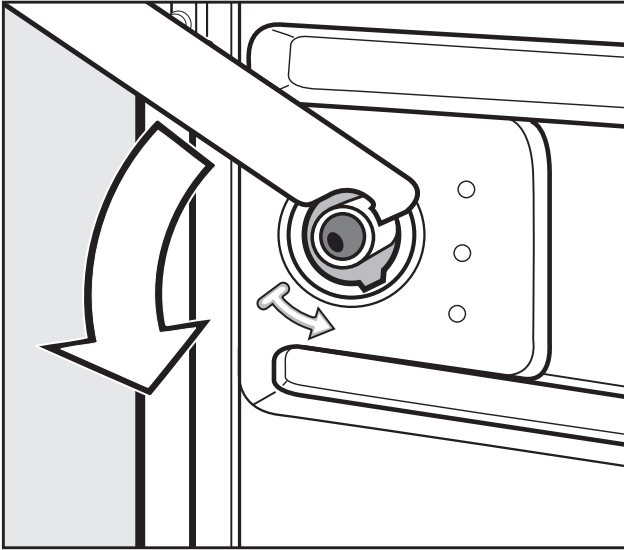
⚠ Ensure that the machine feet and the floor are dry to prevent the machine from slipping during the spin cycle.

## Removing the transit fittings

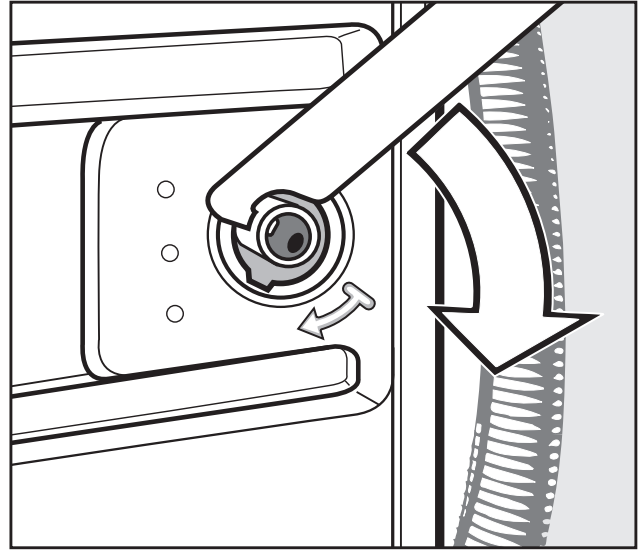


- To remove the left and right covers
  1. Use a screwdriver to prise out the cover as illustrated.
  2. Pull the cover forwards to remove.

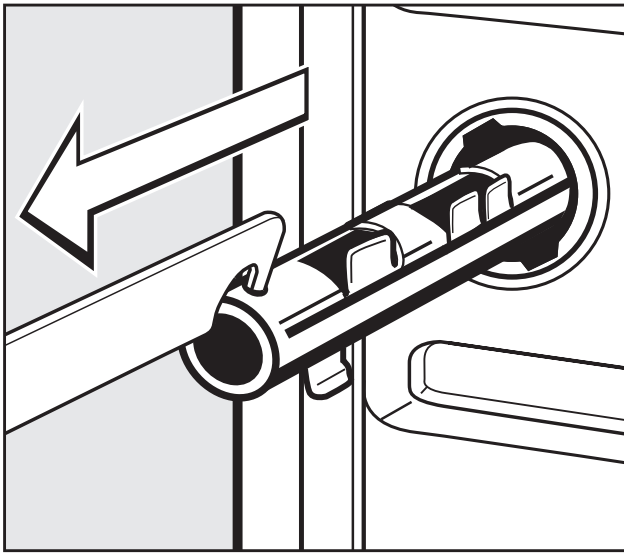
# Installation and connection



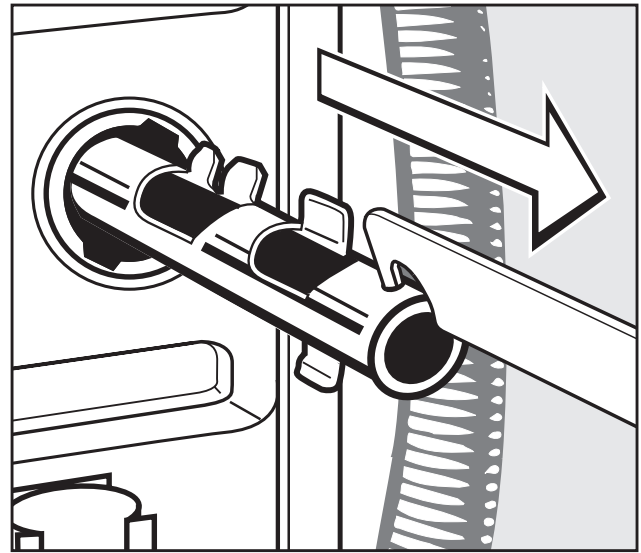
■ Using the spanner supplied turn the left-hand transit bar 90°, then



■ Turn the right-hand transit bar 90°, then

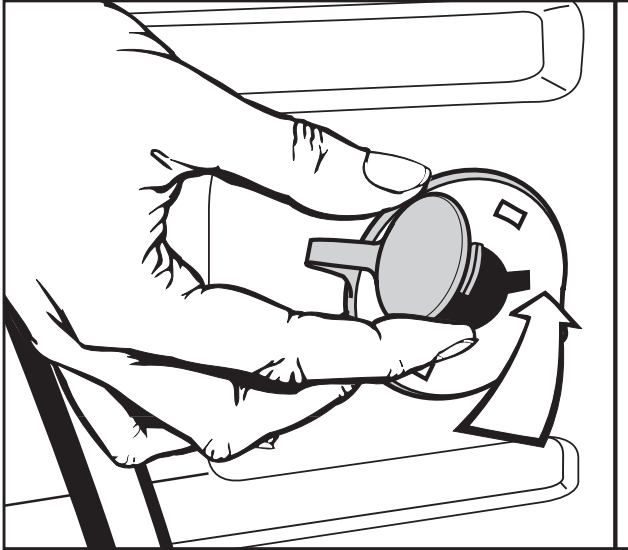


■ withdraw the transit bar.

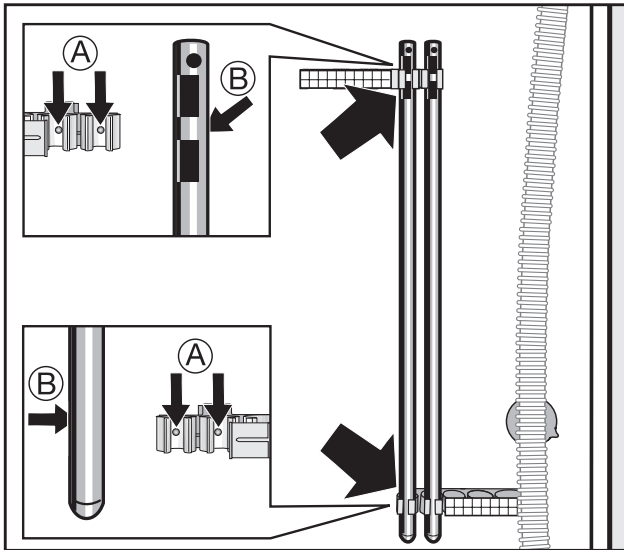


■ withdraw the transit bar.

## Installation and connection



- Fit the covers on to the two holes. Then plug the holes as shown with the caps.



- Secure the transit bars to the back of the washing machine. Make sure that holes **(B)** are fitted over retainers **(A)**.

⚠ The washing machine must not be moved without the transit bars in place.

Store the transit bars as shown or keep them in a safe place for future use. They must be re-fitted if the machine is to be moved again (e.g. when moving house).

### Re-fitting the transit bars

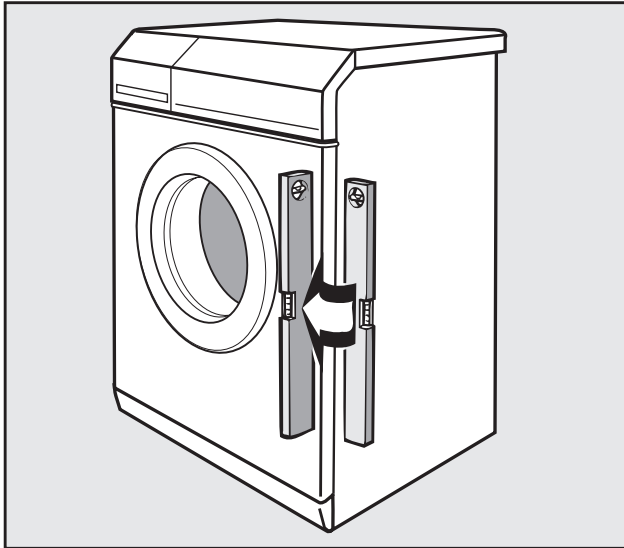
Re-fitting is carried out by reversing the procedure.



# Installation and connection

## Levelling the machine

The machine must stand perfectly level on all four feet to ensure safe and proper operation.

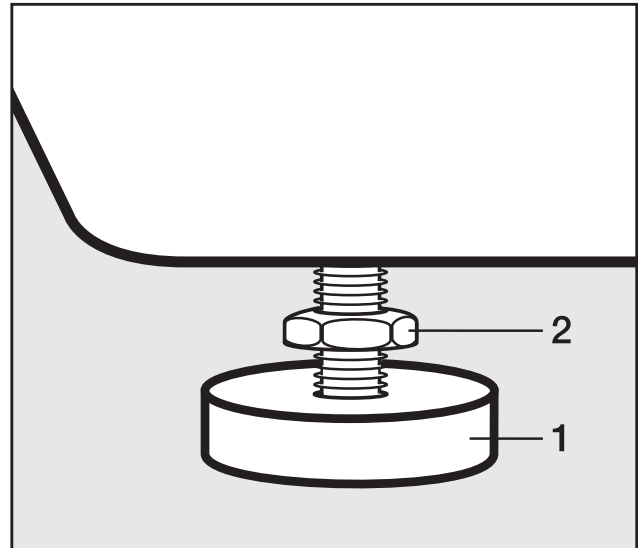


Incorrect installation may increase electricity and water consumption and may cause the machine to move about.


False values may also show in the Load % and Detergent % display.

## Screwing out and adjusting the feet

The four adjustable screw feet are used to level the machine. All four feet are screwed in when the machine is delivered.



- Using the spanner supplied turn counter nut **2** in a clockwise direction. Then turn counter nut **2** together with foot **1** to unscrew.
- Use a spirit level to check the machine is standing level.
- Hold foot **1** securely with a pipe wrench. Turn counter nut **2** again using the spanner supplied until it sits firmly up against the housing.

 All four counternuts must be firmly up against the housing. Please also check this for the feet which did not need adjustment. Otherwise there is the danger of the machine moving about.

This washing machine is not suitable for building under a worktop.

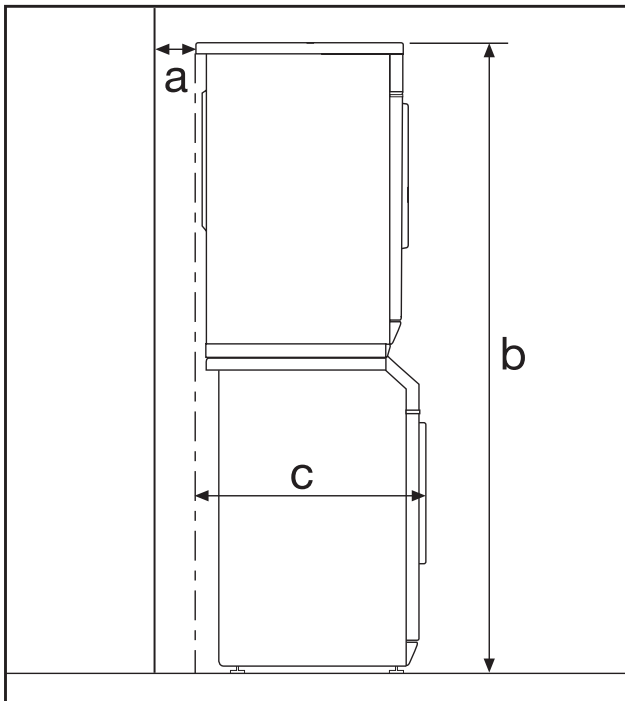
The load size sensor must be calibrated to zero after the washing machine has been installed and connected.

See "Before using for the first time".

## Washer and Dryer stack

A Miele tumble dryer can be stacked with the washing machine. A stacking kit is necessary and can be purchased from the Miele Spare Parts Department.

### Please note:



- a** Safety distance to wall:  
at least 2 cm
- b** Height: Stacking kit with pull-out shelf:  
approx. 172 cm  
Stacking kit without pull-out shelf:  
approx. 170 cm
- c** Depth of the washer-dryer stack:  
approx. 63 cm

# Installation and connection

---

## The Miele Waterproof system

The Miele Waterproof system protects the washing machine from water damage.

The system consists of three main components:

- 1) the inlet hose
- 2) the electronic unit and the washing machine housing
- 3) the drain hose

### 1) Inlet hose

- The inlet hose is fitted with an additional electrical safety valve which works like an automatic stopcock and is housed in the inlet hose connection box.
- It is pressure proof to between 70 and 100 bar.
- The inlet hose has a protective sleeve.

Any leaking water from the inlet hose is fed into the sump through this protective sleeve. A float switches off the safety valve, preventing any more water from flowing into the machine and water in the suds container is pumped away.

### 2) Electronic unit and washing machine housing

- Sump

Any leaking water is collected in a sump in the base of the appliance. A float switches off the safety valves, preventing any more water from flowing into the machine and water in the suds container is pumped away.

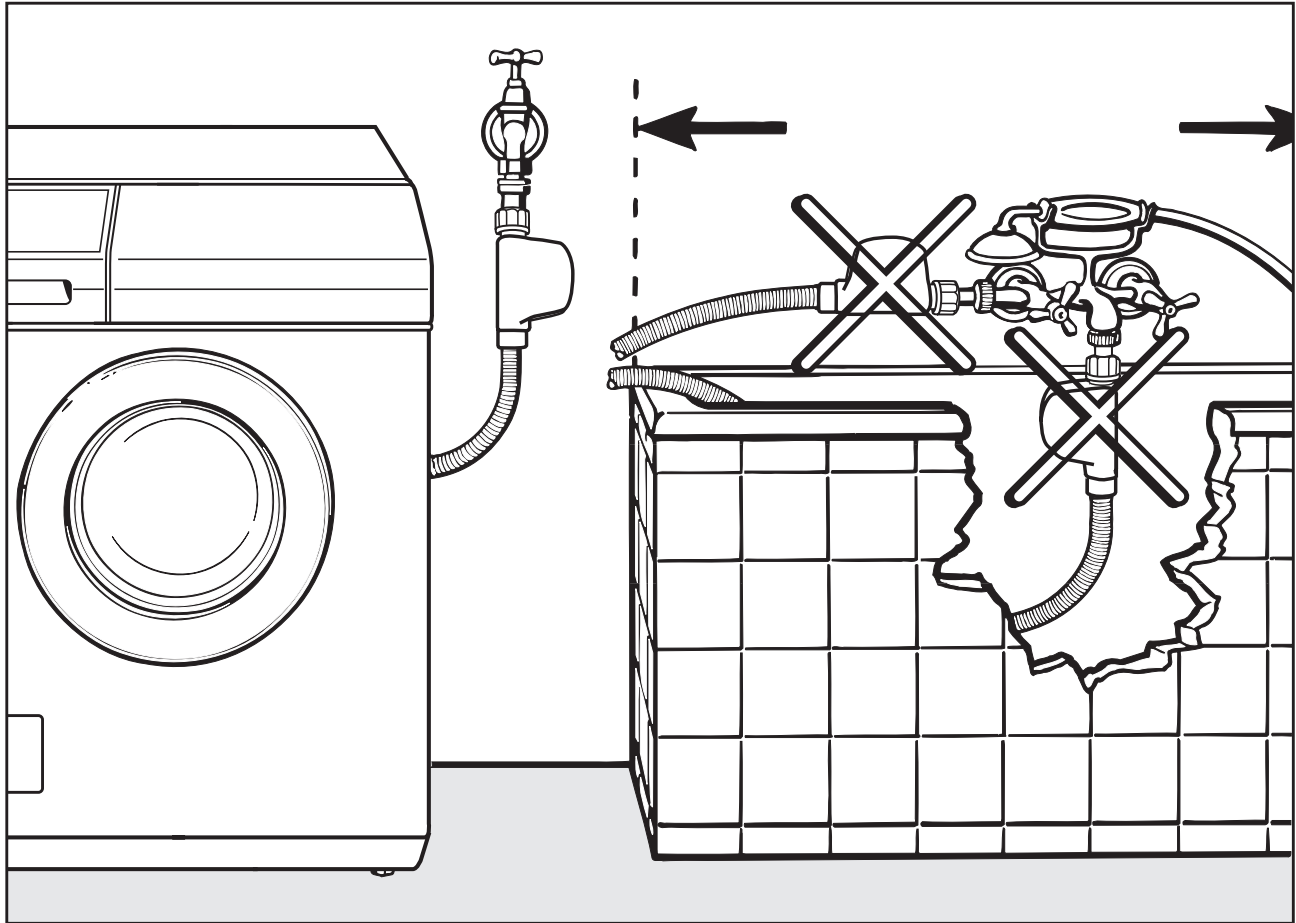
- Overflow protection

This prevents the washing machine taking in too much water. If the water level exceeds a certain level, the drain pump switches in and pumps the excess water away.

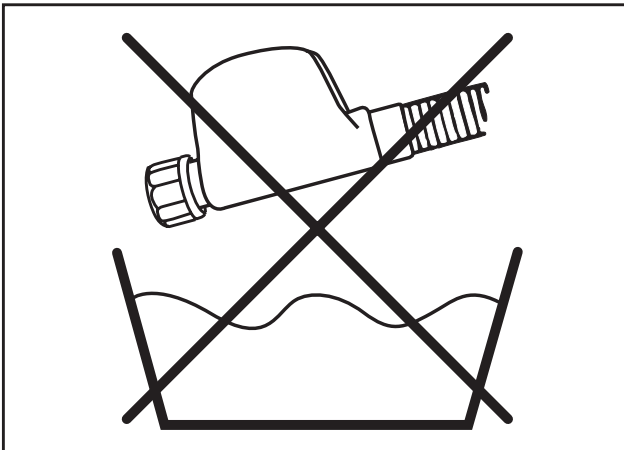
### 3) Drain hose

The drain hose is protected by a ventilation system which prevents the washing machine from being emptied completely.

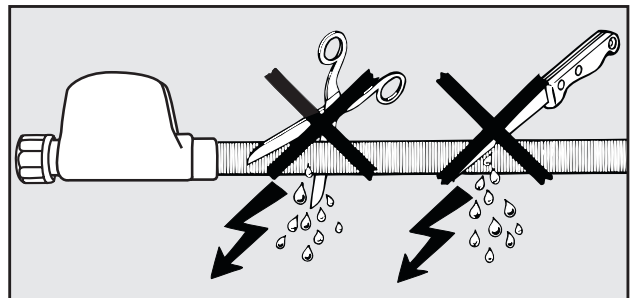
## Connection to the water supply



The plastic casing of the safety valve contains electrical components. The Waterproof system must only be connected to its own stopcock. It must not be connected to mixer taps or similar and must not be fitted in areas where there is the risk of water or other liquids reaching it.



**Do not get wet.**



**The protective sleeve of the hose must not be damaged or kinked.**


# Installation and connection

---

The machine should be connected to a mains water supply in accordance with local and national safety regulations. The German authorities do not require it to have a non-return valve as the washing machine has been designed to comply with DIN regulations.

The machine is designed to operate with a flow pressure of between 1 and 10 bar. If it is higher than 10 bar it is essential to fit a reducer valve.

Connection to the mains water supply should incorporate a mains stopcock with  $\frac{3}{4}$ " thread. The stopcock should be fitted by a qualified plumber.

 The connection point is subject to mains water pressure. Turn on the stopcock slowly and check for leaks. Correct the position of the washer and union if appropriate.

The washing machine is **not** suitable for connection to a hot water supply and connection to a household water softener is not recommended.

## Maintenance and care

If you intend to unscrew the Miele Waterproof system hose from the stopcock it is essential to disconnect the machine from the electricity supply first.

Only use a **Miele Waterproof system** hose should you need a replacement.

In order to protect the water inlet valve, the dirt filter in the water inlet valve connection must not be removed.

## Extension hose

A 1.5 metre long (metal) extension hose is available from your Miele dealer or the Miele Spare Parts Department as an optional extra.

This hose is tested to withstand pressures of up to 140 bar and can be used as a flexible extension to the water supply.

N.B. Using this hose renders the Waterproof system safety valve on the inlet hose ineffective.

## Connection to the drainage system

The machine drains via a drain pump with a delivery head of 1 metre\*.

The drain hose must not be kinked as this restricts drainage. The swivel elbow at the end of the hose can be turned in either direction, or can be detached if required, with a sharp twist and pull.

If required, the drain hose can be extended to a length of 5 m. The necessary parts can be purchased from the Miele Spare Parts Department or your Miele dealer.

\* For a delivery head of more than 1 m (up to a maximum of 1.8 m) a second duo-drain pump is available with the corresponding kit from the Miele Spare Parts Department or your Miele Dealer.

## Drain hose connection:

**1.** Direct into a sink or basin:

Please note the following

- Hook the hose over the edge and secure.
  - Make sure that the water can drain away freely without hindrance. Otherwise there is a risk of water overflowing or of some of the drained water being sucked back into the machine.
- 2.** Connected securely to a plastic drain pipe with a rubber nipple. There is no need to use a non-return valve.
- 3.** Connected securely to a standpipe.
- 4.** Connected securely to a floor gully.

# Installation and connection

---

## Electrical connection U.K.

All electrical work should be carried out only by a suitably qualified and competent person, in strict accordance with national and local safety regulations.

The appliance is supplied with a mains cable with moulded plug for connection to a 230-240V mains supply. **The voltage, rated load and fuse rating are given on the data plate.** Please ensure these match the household mains supply.

Connection should be made via a fused plug and suitable switched socket which is easily accessible after installation.

For extra safety it is advisable to install a residual current device (RCD), with a trip current of 30 mA (in accordance with DIN VDE 0664, VDE 0100 Section 739).

Do not connect via an extension lead.

## Important

The wires in the mains lead are coloured in accordance with the following code:

Green/yellow = earth

Blue = neutral

Brown = live

Where it is necessary to change plugs, if the colours of the wires in the mains lead of this appliance do not correspond with the coloured markings identifying the terminals of your plug, proceed as follows:

The wire which is coloured green and yellow must be connected to the terminal in the plug which is marked with the letter E or by the earth symbol  $\perp$  or coloured green, or green and yellow.

The wire which is coloured blue must be connected to the terminal in the plug which is marked with the letter N or coloured black.

The wire which is coloured brown must be connected to the terminal in the plug which is marked with the letter L or coloured red.

## **WARNING: THIS APPLIANCE MUST BE EARTHED**

Ensure power is not supplied to the appliance while installation work is being carried out.

## **Non-rewireable plugs BS 1363**

If this machine is fitted with a non-rewireable plug, the following information applies:

If the socket outlets are not suitable for the plug supplied with the product, it must be cut off and an appropriate plug fitted. The fuse carrier and fuse should be removed from the old plug and disposed of.



The old plug should then be disposed of and on no account be inserted into any socket elsewhere in the house (electric shock hazard).

The fuse cover must be refitted when changing the fuse, and if the fuse cover is lost, the plug must not be used until a suitable replacement is obtained. The colour of the correct replacement cover is that of the coloured insert in the base of the plug, or the colour that is embossed in words on the base of the plug (as applicable to the design of plug fitted).

Replacement fuses should be ASTA approved to BS 1362 and have the correct rating. Replacement fuse covers may be purchased from your local electrical supplier or Service agent.



## Consumption data

	Load	Consumption data			
		Energy in kWh	Water in litres	Duration	
				Normal	Intensive
<b>COTTONS</b>					
95°C	5.0 kg	1.70	45	1 h 26 min	1 h 41 min
60°C <sup>1)</sup>	5.0 kg	0.95	45	–	1 h 56 min <sup>1)</sup>
60°C	5.0 kg	0.95	45	1 h 26 min	–
40°C <sup>1)</sup>	5.0 kg	0.50	45	–	1 h 56 min <sup>1)</sup>
40°C	5.0 kg	0.50	45	1 h 26 min	–
<b>MINIMUM IRON</b>					
40°C <sup>1)</sup>	2.5 kg	0.45	49	–	1 h 14 min <sup>1)</sup>
40°C	2.5 kg	0.45	49	59 min	–
<b>DELICATES</b>					
30°C	1.0 kg	0.35	65	48 min	58 min
<b>Silks</b> 					
30°C	1.0 kg	0.25	39	37 min	–
<b>WOOLLENS</b> 					
30°C	2.0 kg	0.23	35	40 min	–

<sup>1)</sup> EN 60456 test programme

### Note for test institutes:

For testing in accordance with EN 60456 **you must** use the *Intensive* option.

Consumption data can vary from the nominal values given depending on water pressure, water hardness, water inlet temperature, room temperature, type and volume of load, fluctuations in the electricity supply and any additional options selected.

## Technical data

Height	85.0 cm
Width	59.5 cm
Depth	58.0 cm
Depth with door open	94.5 cm
Weight	94 kg
Maximum floor load	1600 Newton (approx. 160 kg)
Capacity	5 kg dry laundry
Voltage	see data plate
Rated load	see data plate
Fuse rating	see data plate
Consumption data	see "Consumption data"
Water flow pressure minimum	1 bar (100 Pa)
Water flow pressure maximum	10 bar (1000 Pa)
Inlet hose length	1.60 m
Drain hose length	1.50 m
Connection cable length	1.60 m
Drain pump head max.	1.00 m
Drain pump length max.	5.00 m
Lamp for drum lighting	Type G4 (5 Watt/12 Volt)
Test certificates awarded	Radio / TV suppression, VDE



# Programmable functions for changing standard settings

# Programmable functions

---

The programmable functions can be used to tailor washing programmes to suit your individual requirements.

## Water plus system

Selecting the *Water plus* additional option increases the water intake in the programmes listed below.

The water intake is increased in the wash and rinse stages and in the COTTONS and MINIMUM IRON programmes an extra rinse cycle is introduced.

There are four different settings which can be programmed to alter the water intake for the following programmes:

- COTTONS
- MINIMUM IRON
- Quick wash
- Mixed wash
- Silks

The programmed setting is then activated by pressing the *Water plus* additional option button.

## The settings are as follows:

### Setting 1:

an increase in the rinse water level for the programmes listed.

### Setting 2:

an increase in the water level in the main wash and rinses for the programmes listed (the washing machine is delivered with setting 2 programmed as standard).

### Setting 3:

an extra rinse cycle in the COTTONS and MINIMUM IRON programmes.

### Setting 4:

an increase in the water level in the main wash and rinses for the programmes listed and also an extra rinse cycle in the COTTONS and MINIMUM IRON programmes. This setting should be programmed in if laundry is too hard after drying and if someone in the household suffers from a detergent allergy.

Steps ❶ to ❷ on the following page describe how to programme and store a setting in memory.

## Programmable functions

### Follow steps ① to ⑦ to programme and store a setting in memory.

The programmable functions are activated to call up further features not shown on the control panel by using the additional option buttons in combination with the programme selector.

Before you begin, first ensure that:

- The washing machine is switched off.
- The drum door is closed.
- The programme selector is at *Finish*.

- ① Press the additional option buttons *Intensive* and *Water plus* at the same time, hold pressed in and . .
- ② . . . Switch the machine on with the I-ON/O-OFF button.
- ③ Let go of all these buttons. *P 0* appears in the display.

- ④ Turn the programme selector to DELICATES 30°C.
- ⑤ The *P* will now flash in the display alternating with the number *2*.

In addition, one of the following numbers will appear on the right of the display:

*1, 2, 3* or *4*

- ⑥ Press the START button to toggle between the various settings.

The number on the right of the display shows which setting is selected.

- 1* = Setting 1 is selected (increased water level in the rinses)
- 2* = Setting 2 is selected (increased water level in the main wash and in the rinses)
- 3* = Setting 3 is selected (extra rinse in the COTTONS and MINIMUM IRON programmes)
- 4* = Setting 4 is selected (increase in the water level in the main wash and rinses and also an extra rinse in the COTTONS and MINIMUM IRON programmes).
- ⑦ Switch the machine off with the I-ON/O-OFF button.

The *Water plus* button has now been allocated the setting you have chosen. This setting will remain in memory until another setting is programmed.

# Programmable functions

---

## Gentle action

Activating gentle action reduces the drum action. Slightly soiled items are washed more gently. It should be activated for garments with a single bar under the care label and for articles which feel too hard after they have been dried.

Gentle action can be used in the COTTONS, MINIMUM IRON, *Quick wash*, *Starch* and *Mixed wash* programmes.

If "Gentle action" is programmed into the machine, every wash cycle in these programmes will be carried out with gentle action rhythm.

The washing machine is delivered with "Gentle action" deactivated.

### Follow steps ❶ to ❷ to programme and store in memory.

The programmable functions are activated to call up further features not shown on the control panel by using the additional option buttons in combination with the programme selector.

Before you begin, first ensure that:

- The washing machine is switched off.
- The drum door is closed.
- The programme selector is at *Finish*.

- ❶ Press the additional option buttons *Intensive* and *Water plus* at the same time, hold pressed in and . .
  - ❷ . . . switch the machine on with the I-ON/O-OFF button.
  - ❸ Let go of all these buttons. *P 0* appears in the display.
  - ❹ Turn the programme selector to *Mixed wash*:
  - ❺ The *P* will now flash in the display alternating with the number *9*
- In addition, one of the following will appear on the right of the display:
- 0* = Gentle action is deactivated.  
*1* = Gentle action is activated
- ❻ Press the START button to change from one to the other. The display will change accordingly from *0* to *1* or from *1* to *0*.
  - ❼ Switch the washing machine off with the I-ON/O-OFF button.

The setting you have selected is now stored in memory and will remain so until you alter it.

## Top-up rinse for COTTONS

When this is activated, additional water flows into the drum at the end of the main wash to cool the suds down. Hot suds can damage plastic drainage pipes.

Top-up rinse takes place when temperatures of 95°C and 75°C are selected.

Top-up rinse should be activated:

- to prevent the danger of scalding if the drain hose is hooked over the edge of a sink or basin.
- where the drainage pipes do not comply with DIN 1986.

The washing machine is delivered with the Top-up rinse for COTTONS deactivated.

### Follow steps ① to ⑦ to programme and store in memory.

The programmable functions are activated to call up further features not shown on the control panel by using the additional option buttons in combination with the programme selector.

Before you begin, first ensure that:

- The washing machine is switched off.
- The drum door is closed.
- The programme selector is at *Finish*.

① Press the additional option buttons *Intensive* and *Water plus* at the same time, hold pressed in and . .

② . . . switch the machine on with the I-ON/O-OFF button.

③ Let go of all these buttons. *P 0* appears in the display.

④ Turn the programme selector to *Starch*:

⑤ The *P* will now flash in the display alternating with the number *10*

In addition, one of the following will appear on the right of the display:

*0* = Top-up rinse is deactivated  
or

*1* = Top-up rinse is activated

⑥ Press the START button to change from one to the other. The display will change accordingly from *0* to *1* or from *1* to *0*.

⑦ Switch the washing machine off with the I-ON/O-OFF button. The setting you have selected is now stored in memory and will remain so until you alter it.



# Programmable functions

---

## Memory function

If an additional option(s) is selected for a programme, and / or the spin speed is altered, the machine stores these changes in memory at the start of a programme.

When that particular programme is chosen again, the display will show the additional option(s) and / or spin speed which have been stored for that programme in the memory.

The washing machine is delivered with the memory function deactivated.

### Follow steps ① to ⑦ to programme and store in memory.

The programmable functions are activated to call up further features not shown on the control panel by using the additional option buttons in combination with the programme selector.

Before you begin, first ensure that:

- The washing machine is switched off.
- The drum door is closed.
- The programme selector is at *Finish*.

- ① Press the additional option buttons *Intensive* and *Water plus* at the same time, hold pressed in and . .
- ② . . . switch the machine on with the I-ON/O-OFF button.
- ③ Let go of all these buttons. *P 0* appears in the display.
- ④ Turn the programme selector to *Separate rinse*:
- ⑤ The *P* will now flash in the display alternating with the number *11*

In addition, one of the following will appear on the right of the display:

0 = Memory function is deactivated

1 = Memory function is activated

- ⑥ Press the START button to change from one to the other. The display will change accordingly from 0 to 1 or from 1 to 0.
- ⑦ Switch the washing machine off with the I-ON/O-OFF button.

The setting you have selected is now stored in memory and will remain so until you alter it.

## Buzzer

When the buzzer function has been activated, an audible tone sounds repeatedly at the end of a programme or when Rinse hold is reached.

The buzzer will sound for up to an hour after the programme has finished.

The washing machine is delivered with the buzzer deactivated.

### Follow steps ① to ⑦ to programme and store in memory.

The programmable functions are activated to call up further features not shown on the control panel by using the additional option buttons in combination with the programme selector.

Before you begin, first ensure that:

- The washing machine is switched off.
- The drum door is closed.
- The programme selector is at *Finish*.

- ① Press the additional option buttons *Intensive* and *Water plus* at the same time, hold pressed in and . .
- ② . . . switch the machine on with the I-ON/O-OFF button.
- ③ Let go of all these buttons. *P 0* appears in the display.
- ④ Turn the programme selector to the COTTONS 75°C position:
- ⑤ The *P* will now flash in the display alternating with the number *20*

In addition, one of the following will appear on the right of the display:

*0* = Buzzer is deactivated

or

*1* = Buzzer is activated

- ⑥ Press the START button to change from one to the other. The display will change accordingly from *0* to *1* or from *1* to *0*.
- ⑦ Switch the washing machine off with the I-ON/O-OFF button.

The setting you have selected is now stored in memory and will remain so until you alter it.





**United Kingdom:**

Miele Co. Ltd.  
Fairacres, Marcham Road  
Abingdon, Oxon, OX14 1TW  
tel. Abingdon (01235) 554455  
Service Office: (01235) 554466  
fax (01235) 554477  
Internet: [www.miele.co.uk](http://www.miele.co.uk)

**Ireland:**

Miele Ireland Ltd.  
Broomhill Road, Tallaght, Dublin 24  
Tel: (01) 46 10 710, Fax: (01) 46 10 797  
Email: [info@miele.ie](mailto:info@miele.ie)  
Internet: <http://www.miele.ie>

**Australia:**

Miele Australia Pty. Ltd.  
A.C.N. 005635398  
1 Gilbert Park Drive  
Knoxfield, VIC 3180  
Telephone: (03) 9764 7100  
Fax: (03) 9764 7129  
Internet: [www.miele.com.au](http://www.miele.com.au)

**Distributor New Zealand:**

Steelfort Engineering Company. Ltd.  
500 Rangitikei Street  
Palmerston North, Priv. Bag 11045, NZ  
Telephone: (06) 350 1350  
Fax: (06) 356 1507

**South Africa:**

Miele (Pty) Ltd  
304 Tungsten Road  
Strijdom Park 2194  
P.O.Box 1654, Randburg 2125  
Tel. (011) 793-7452  
Telefax (011) 793-7447  
E-mail: [info@miele.co.za](mailto:info@miele.co.za)  
Internet: [www.miele.co.za](http://www.miele.co.za)

**Singapore:**

Miele Southeast Asia  
Miele Pte. Ltd.  
163 Penang Road  
# 04 - 02/03 Winsland House II  
Singapore 238463  
Tel : +65-67351191  
Fax: +65-67351161  
Email: [mielesea@miele.com.sg](mailto:mielesea@miele.com.sg)

**Hong Kong:**

Miele (Hong Kong) Limited  
AIA Plaza, Room 401, 4<sup>th</sup> Floor  
18 Hysan Avenue  
Causeway Bay  
Hong Kong  
Tel.: (852) 2610 1331  
Fax: (852) 2610 1013  
E-mail: [mielehk@netvigator.com](mailto:mielehk@netvigator.com)